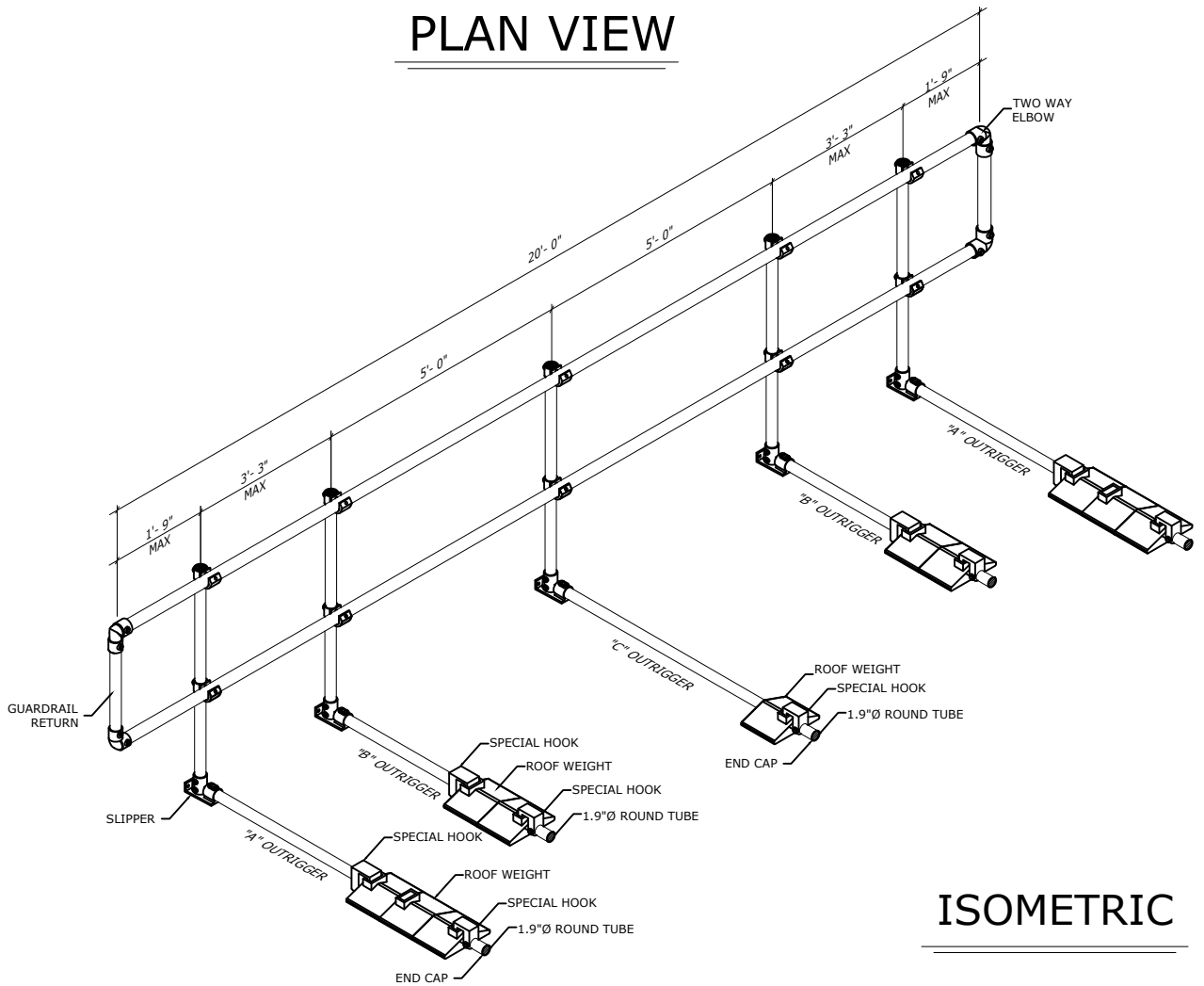


PLAN VIEW



ISOMETRIC



SHEET TITLE:
 SYSTEM: DYNAROUND RG ROOFGUARD
 LAYOUT: 20' STRAIGHT RUN
 POST SPACING: STD.
 RETURN CONDITION: N/A

SCALE:
 NTS
 DRAWING No.:
 DWG NO. 24