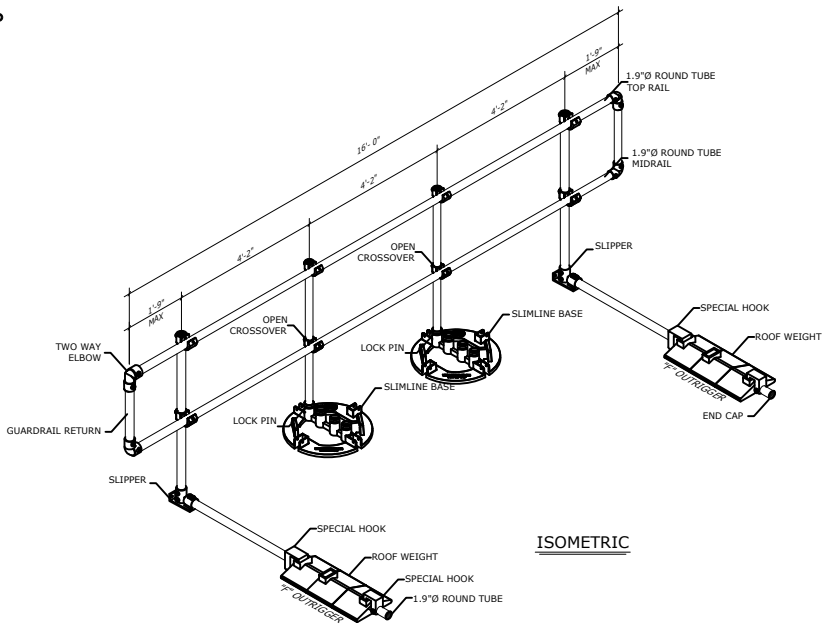
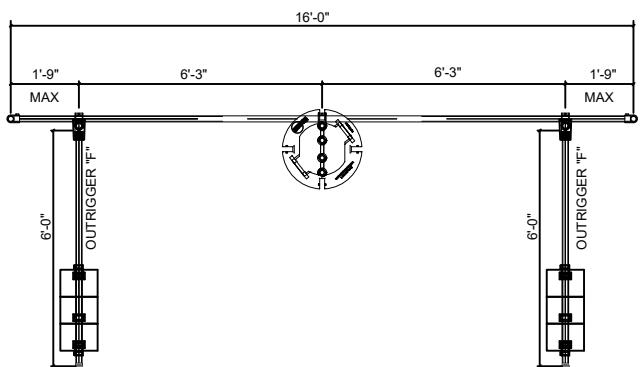


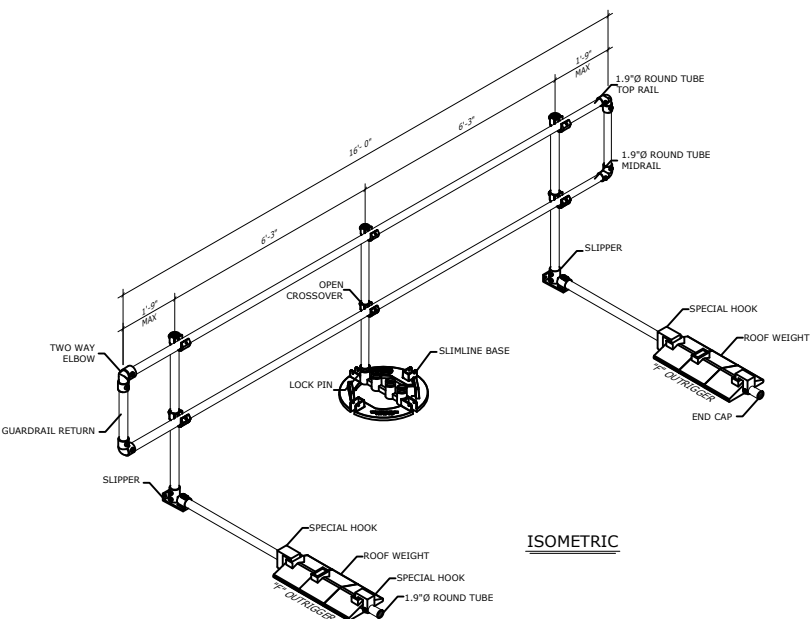
PLAN VIEW



ISOMETRIC



PLAN VIEW



ISOMETRIC



SHEET TITLE:  
 SYSTEM: DYNAROUND RG SLIMLINE  
 LAYOUT: 16' STRAIGHT RUN  
 POST SPACING: 8'  
 RETURN CONDITION: F OUTRIGGER ASSEMBLY

SCALE:  
 NTS  
 DRAWING No.:  
 DWG NO. 01