

PLAN VIEW

2 1/8"x2 1/8"x3/16"
SQ. TUBE

11 1/2" LG.
POST
STIFFENER

12 GA. 316 S.S.
STANCHION
FIELD ATTACH (XX)

1/4" 316 SS.

1/4" THICK STANDING
SEAM BASE PLATE (XX)

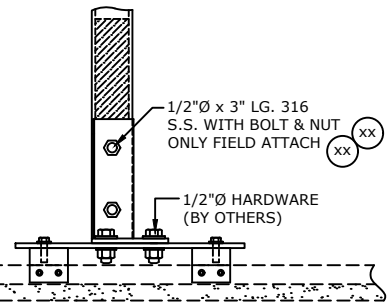
S5-U CLAMP (XX)



FRONT VIEW

Detail

DETAIL- STAINLESS STEEL STANCHION BASE



SIDE VIEW



SHEET TITLE:
SYSTEM: SQUARE TUBE GUARDRAIL
LAYOUT: SEAM MOUNT ATTACHMENT
POST SPACING: N/A
RETURN CONDITION: N/A

SCALE:
NTS

DRAWING No.:
DWG NO. 38