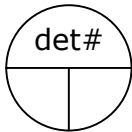
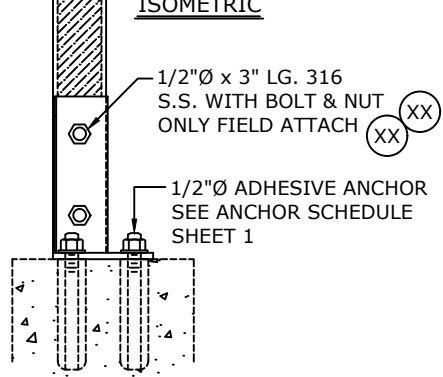
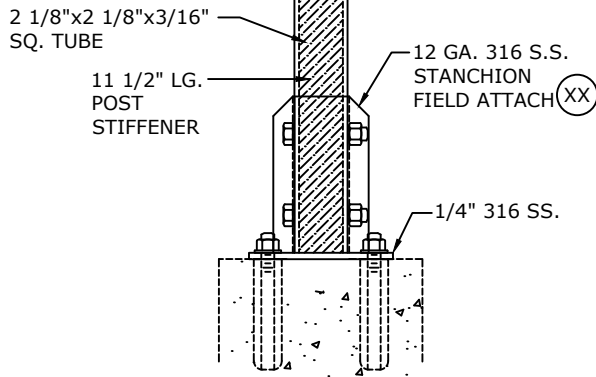
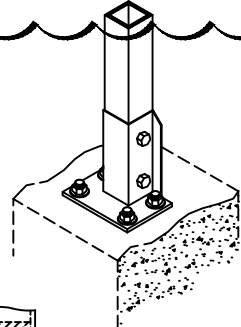


Go to 3 1/2" min edge dist as default. But it can be 2 3/8" if the post spacing is no greater than 4'-0" and anchor min embed changed to 5 1/4". This will apply to most concrete stairs.

6" embedment when at edge of Concrete



DETAIL- STAINLESS STEEL STANCHION BASE