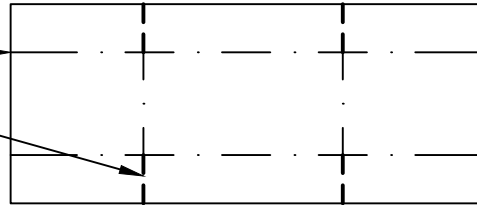


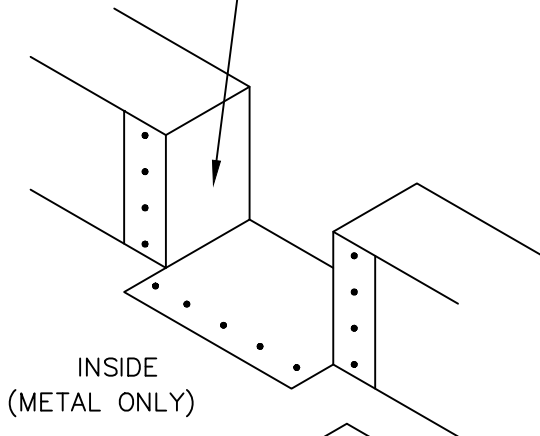
SPECIFIED COATED METAL SLEEVE

FOLD DOTTED LINES

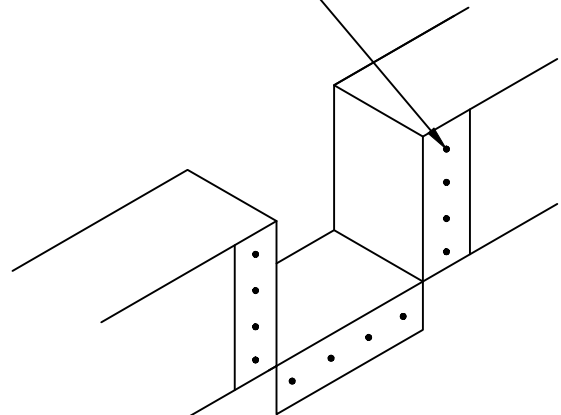
CUT SOLID LINES



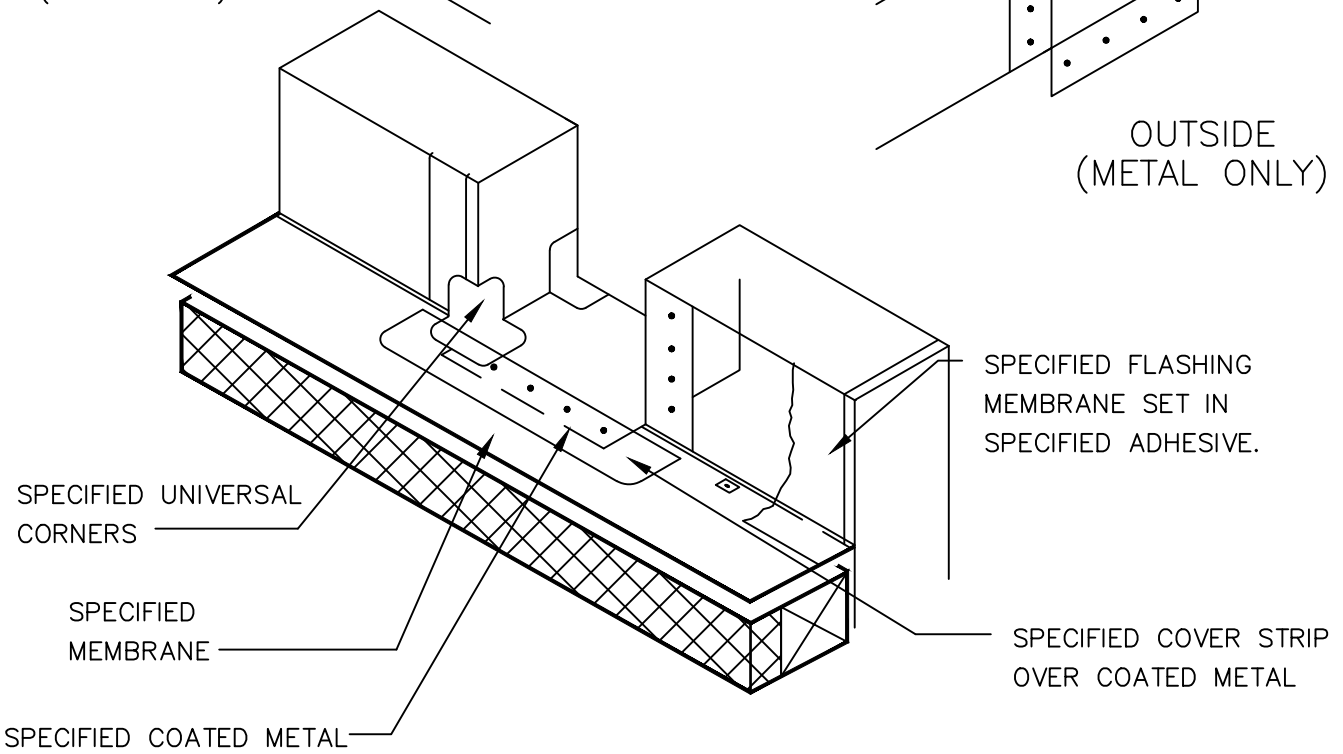
SPECIFIED COATED METAL



FASTEN FLANGE TO WALL.



OUTSIDE
(METAL ONLY)



NOTES:

- 1) SEE DETAIL 2
- 2) PERIMETER WOOD NAILER MAY BE OMITTED WHEN FIELD MEMBRANE IS TURNED UP AND SECURED TO WALL WITH FLAT METAL TERMINATION BAR.



SHEET TITLE:

ISOMETRIC VIEW THROUGH
WALL SCUPPER DETAIL

SCALE:

NTS

DRAWING No.:

DWG NO. 13