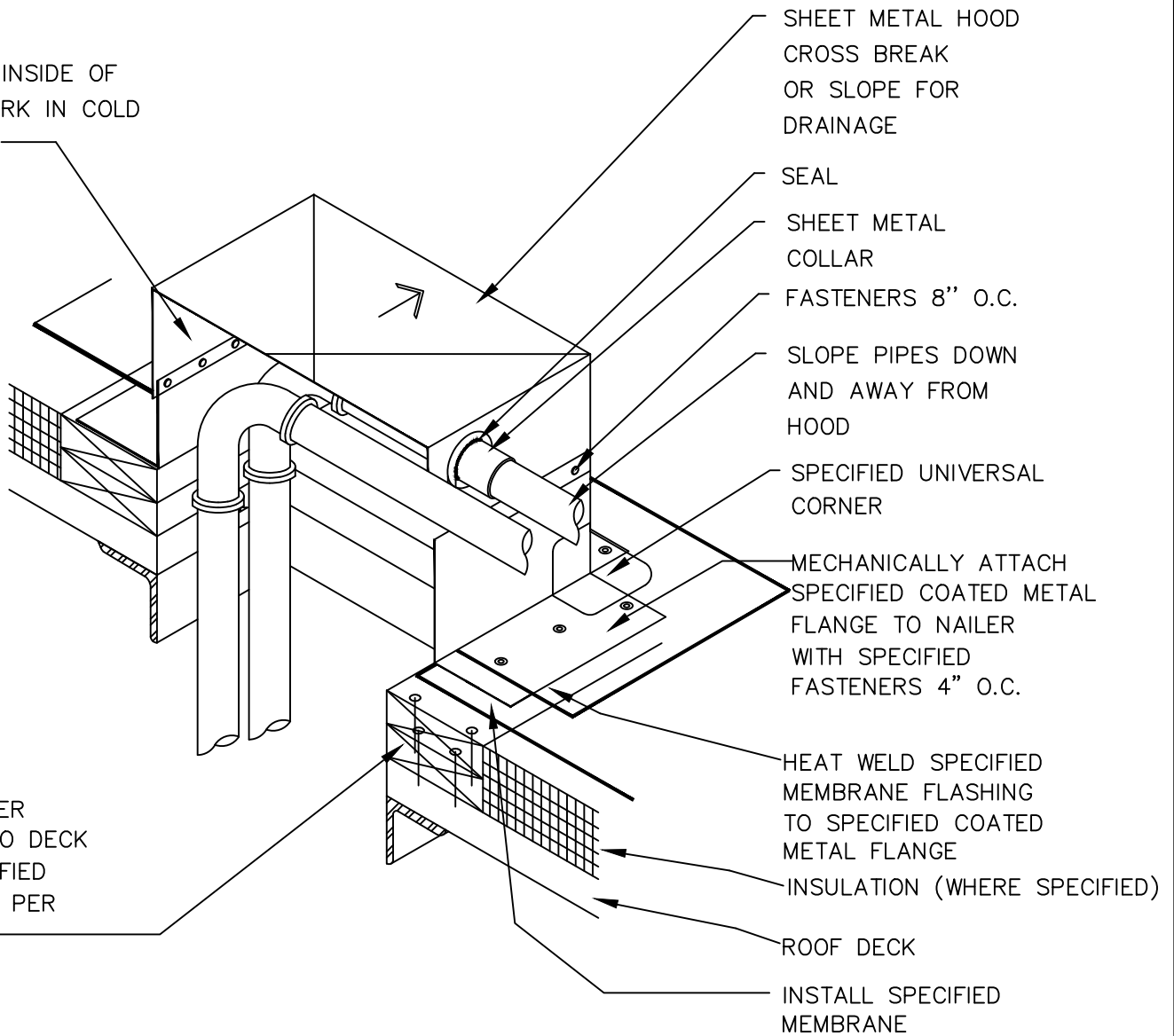


CLOSURE DETAIL

INSULATE INSIDE OF
METAL WORK IN COLD
CLIMATES



WOOD NAILER
SECURED TO DECK
WITH SPECIFIED
FASTENERS PER
FM I-49

SHEET METAL HOOD
CROSS BREAK
OR SLOPE FOR
DRAINAGE

SEAL
SHEET METAL
COLLAR
FASTENERS 8" O.C.

SLOPE PIPES DOWN
AND AWAY FROM
HOOD

SPECIFIED UNIVERSAL
CORNER

MECHANICALLY ATTACH
SPECIFIED COATED METAL
FLANGE TO NAILER
WITH SPECIFIED
FASTENERS 4" O.C.

HEAT WELD SPECIFIED
MEMBRANE FLASHING
TO SPECIFIED COATED
METAL FLANGE

INSULATION (WHERE SPECIFIED)

ROOF DECK

INSTALL SPECIFIED
MEMBRANE



SHEET TITLE:

MULTIPLE PIPE
PENETRATION DETAIL

SCALE:

NTS

DRAWING No.:

DWG NO. 28