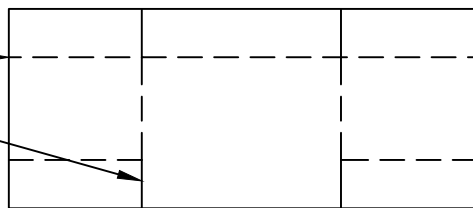


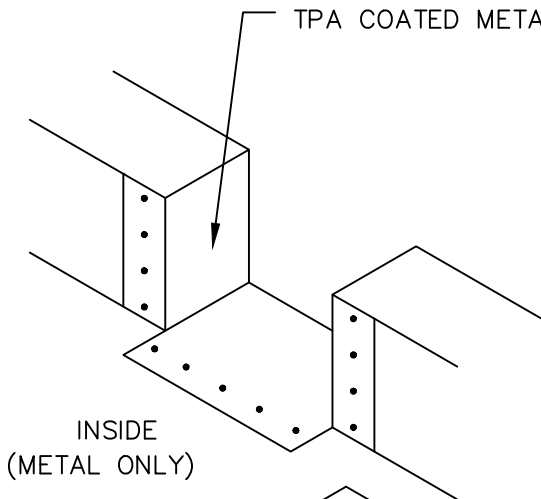
TPA COATED METAL SLEEVE

FOLD DOTTED LINES

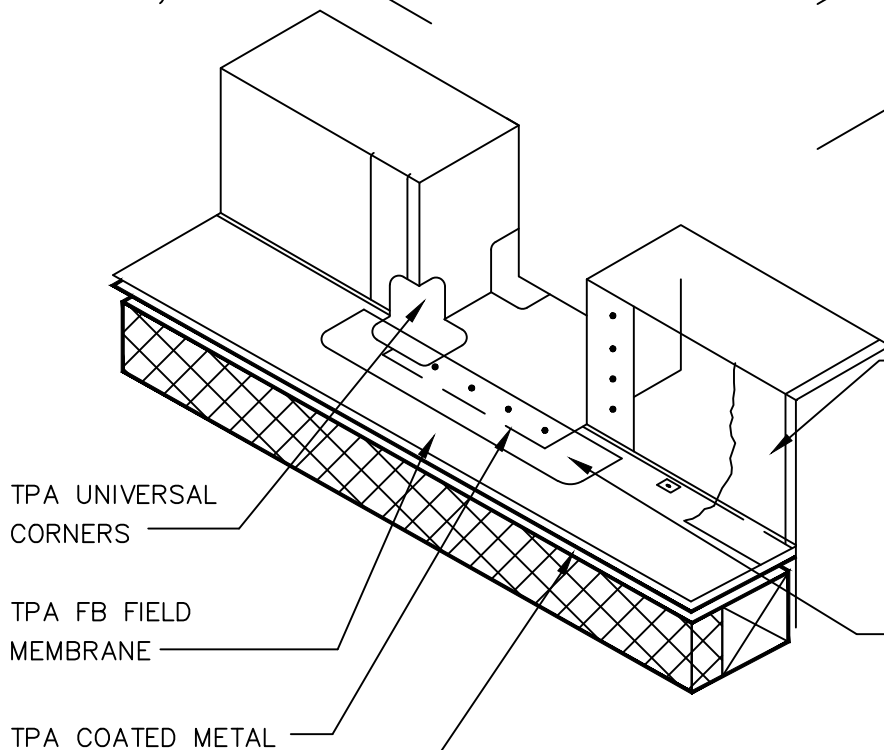
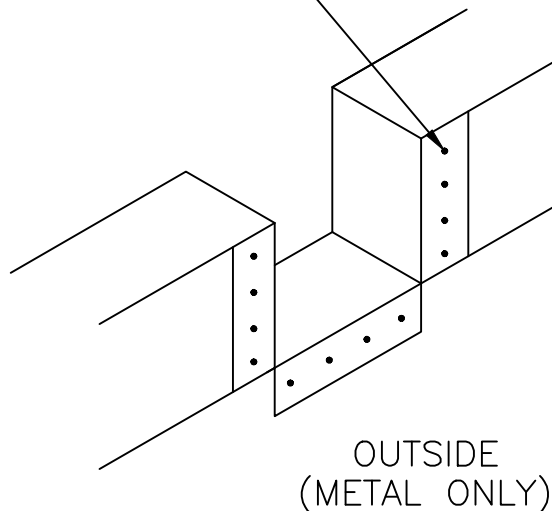
CUT SOLID LINES



TPA COATED METAL



FASTEN FLANGE TO WALL.



TPA FLASHING  
MEMBRANE SET IN  
TPA ADHESIVE.

TPA COVER STRIP  
OVER COATED METAL

TPA UNIVERSAL  
CORNERS

TPA FB FIELD  
MEMBRANE

TPA COATED METAL

SPECIFIED ADHESIVE

NOTES:

- 1) PERIMETER WOOD NAILER MAY BE OMITTED WHEN FIELD MEMBRANE IS TURNED UP AND SECURED TO WALL WITH FLAT METAL TERMINATION BAR.



SHEET TITLE:

ISOMETRIC VIEW THROUGH  
WALL SCUPPER DETAIL

SCALE:

NTS

DRAWING No.:

DWG NO. TPA FB-13