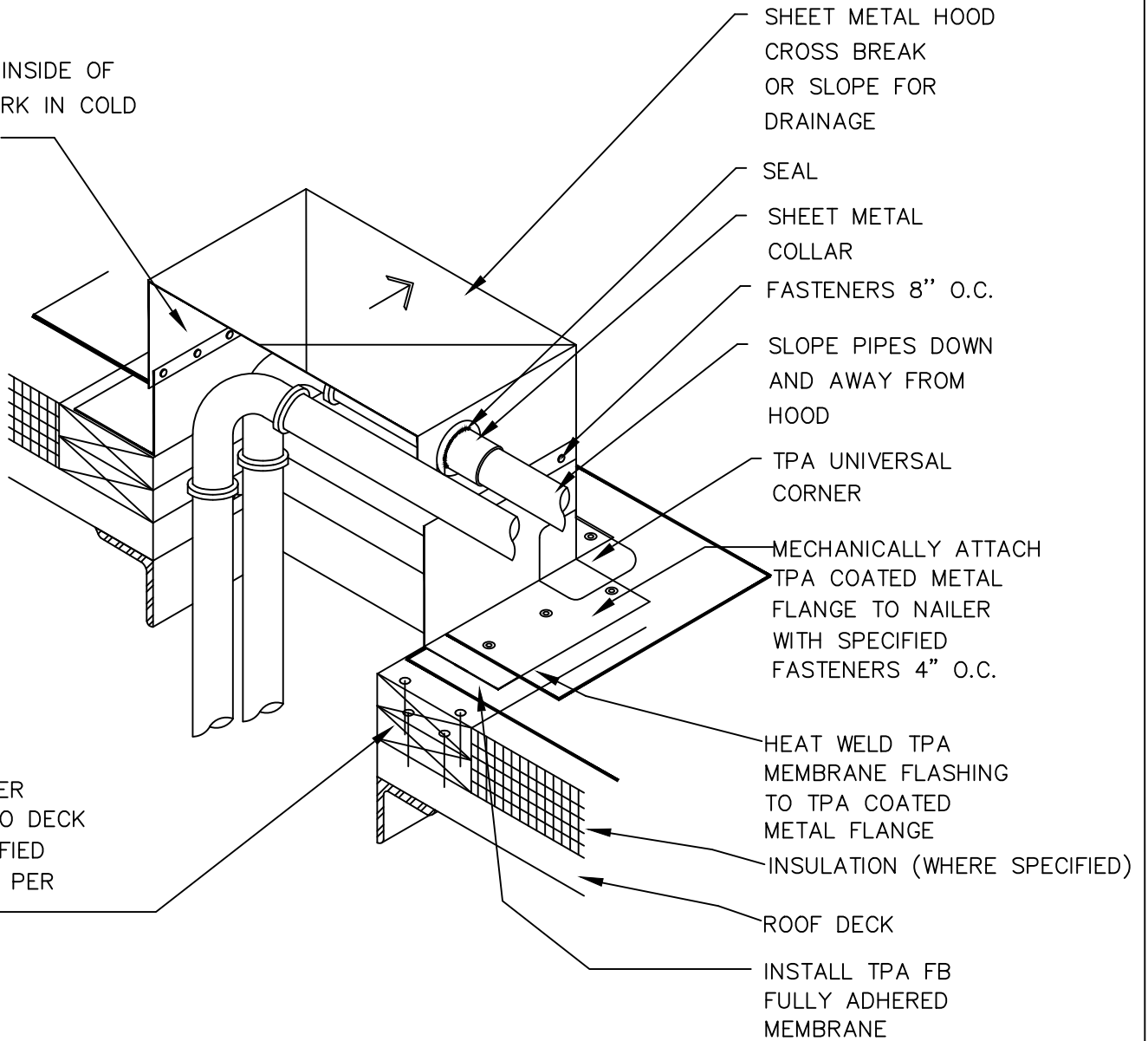


CLOSURE DETAIL

INSULATE INSIDE OF METAL WORK IN COLD CLIMATES



WOOD NAILER SECURED TO DECK WITH SPECIFIED FASTENERS PER FM 1-49

SHEET METAL HOOD CROSS BREAK OR SLOPE FOR DRAINAGE

SEAL

SHEET METAL COLLAR

FASTENERS 8" O.C.

SLOPE PIPES DOWN AND AWAY FROM HOOD

TPA UNIVERSAL CORNER

MECHANICALLY ATTACH TPA COATED METAL FLANGE TO NAILER WITH SPECIFIED FASTENERS 4" O.C.

HEAT WELD TPA MEMBRANE FLASHING TO TPA COATED METAL FLANGE

INSULATION (WHERE SPECIFIED)

ROOF DECK

INSTALL TPA FB FULLY ADHERED MEMBRANE