

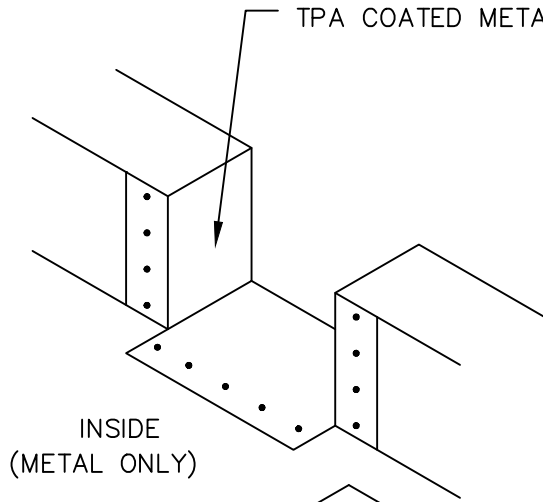
TPA COATED METAL SLEEVE

FOLD DOTTED LINES

CUT SOLID LINES

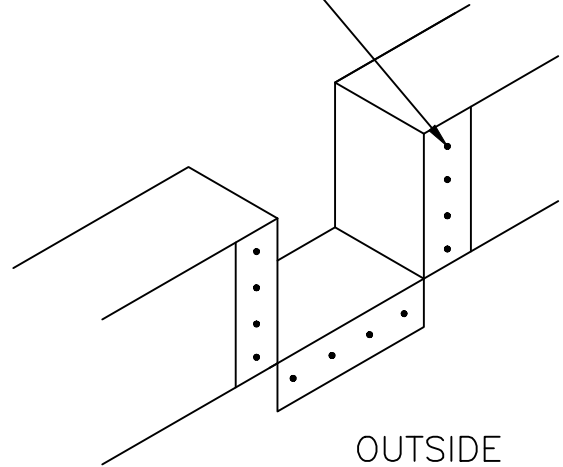


TPA COATED METAL

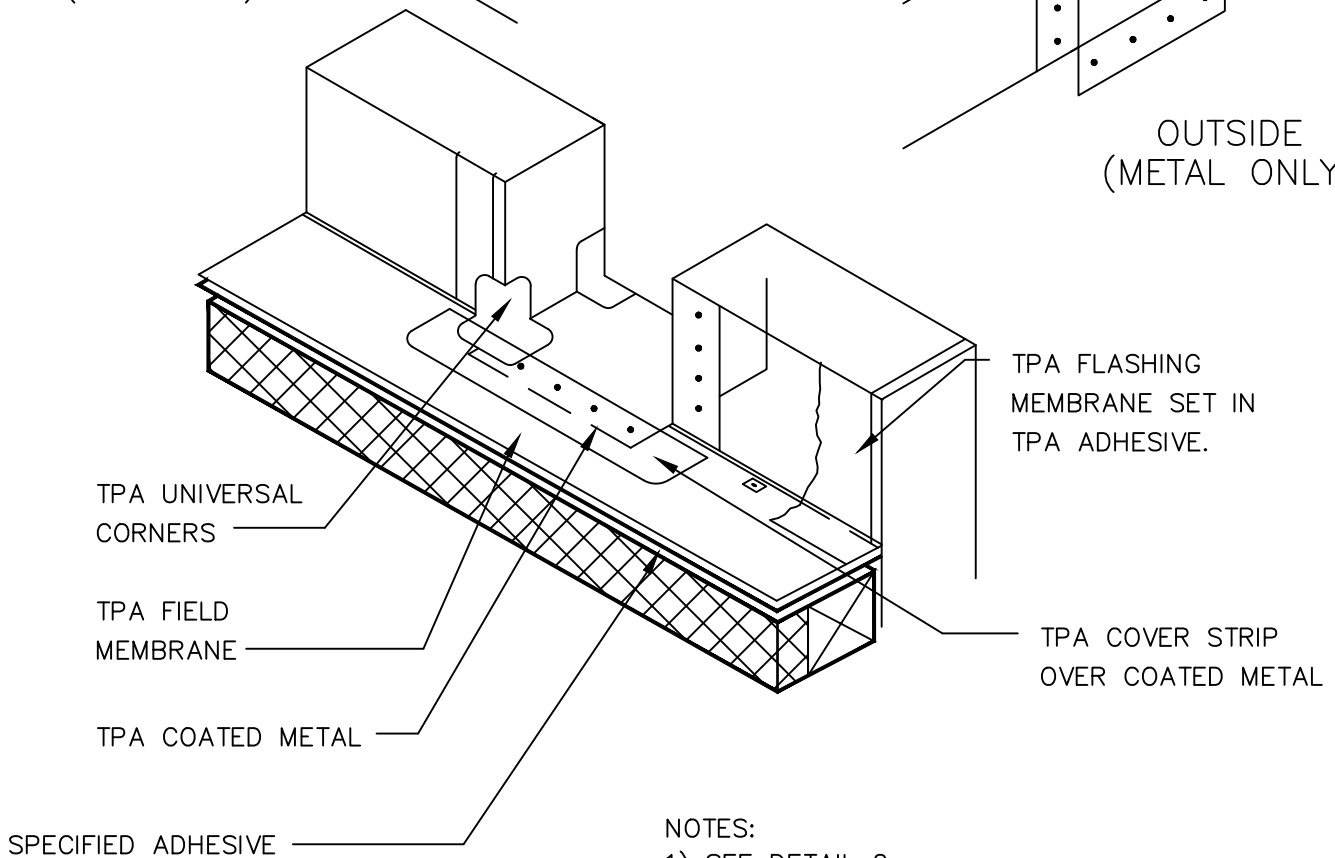


INSIDE
(METAL ONLY)

FASTEN FLANGE TO WALL.



OUTSIDE
(METAL ONLY)



TPA UNIVERSAL
CORNERS

TPA FIELD
MEMBRANE

TPA COATED METAL

SPECIFIED ADHESIVE

TPA FLASHING
MEMBRANE SET IN
TPA ADHESIVE.

TPA COVER STRIP
OVER COATED METAL

NOTES:

1) SEE DETAIL 2

2) PERIMETER WOOD NAILER MAY BE OMITTED WHEN
FIELD MEMBRANE IS TURNED UP AND SECURED TO
WALL WITH FLAT METAL TERMINATION BAR.



SHEET TITLE:

ISOMETRIC VIEW THROUGH
WALL SCUPPER DETAIL

SCALE:

NTS

DRAWING No.:

DWG NO. TPA-13