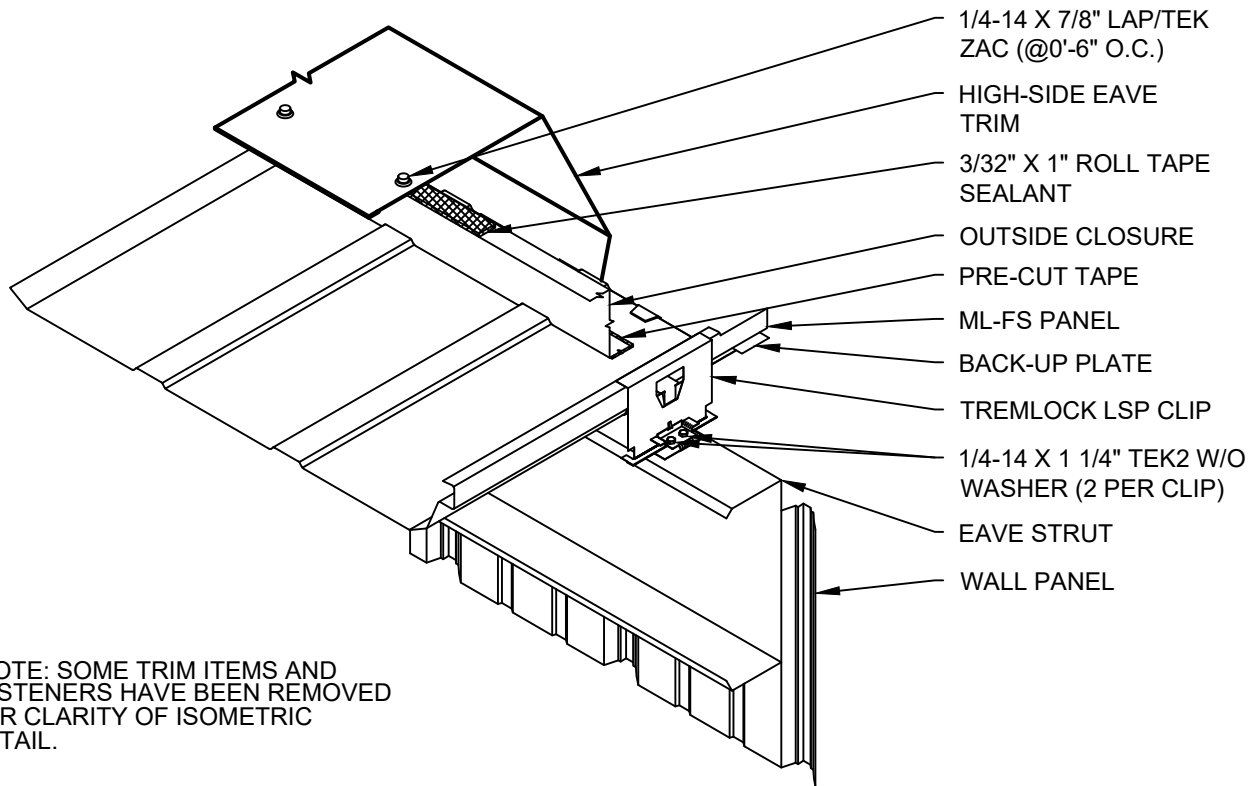


NOTES

1. Install Back-up Plates with panels.
2. Use a temporary fastener at each side of panel to hold Back-up Plate.
3. Panel must be fully seamed (180°) before installing Outside Closure.
4. Check for voids, fill with Butyl Tube Sealant.



Roofing & Building Maintenance

SHEET TITLE:

TREMLOCK LSP HIGH SIDE
DETAIL (FIXED)

SCALE:

NTS

DRAWING No.:

DWG NO. LSP-04