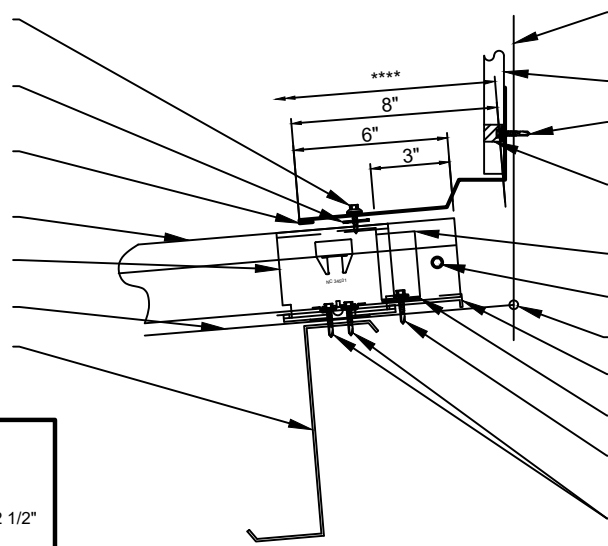
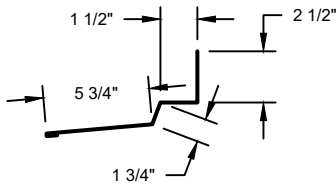


1/4-14 X 7/8" LAP/TEK
ZAC (@0'-6" O.C.)
3/32" X 1" ROLL TAPE
SEALANT
FLOATING HIGH-SIDE
TIE-IN TRIM
TREMLOCK LSP PANEL
TREMLOCK LSP CLIP
ROOF LINE
PURLIN



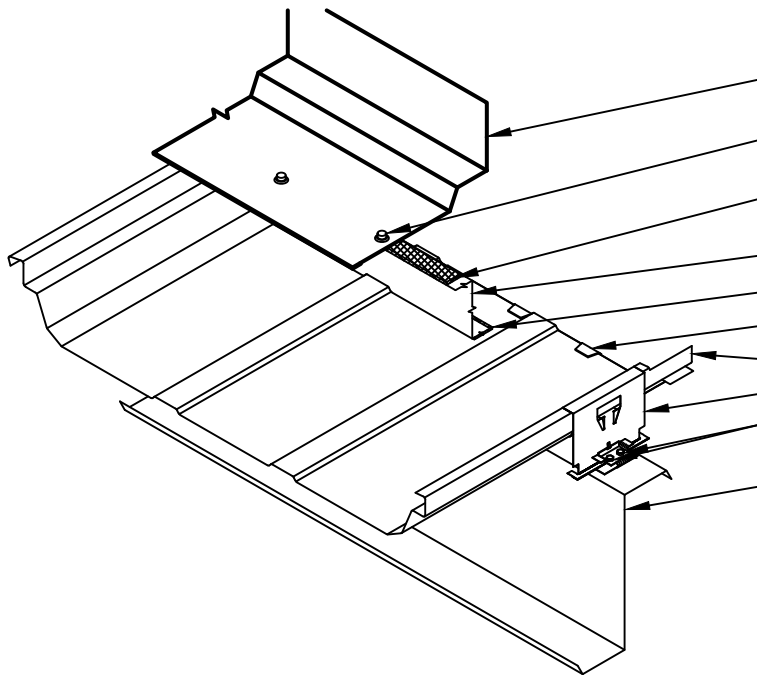
BUILDING LINE
(NOT BY TREMCO)
WALL PANEL
FASTENER
(AS SPECIFIED)
OUTSIDE CLOSURE
(RECOMMENDED)
OUTSIDE CLOSURE
TEMPORARY FASTENER
WORKING POINT
BACK-UP PLATE
PRE-CUT TAPE
1/4-14 X 1 1/4" TEK2 ZAC
(8 PER PANEL)
1/4-14 X 1 1/4" HWH #2
W/O
WASHER (2 PER CLIP)



FLOATING HIGH-SIDE TIE-IN TRIM

NOTES

1. Install Back-up Plates with panels.
2. Use a temporary fastener at each side of panel to hold Back-up Plate.
3. Panel must be fully seamed (180°) before installing Outside Closure.
4. Check for voids, fill with Tube Butyl Sealant.



FLOATING HIGH-SIDE
TIE-IN TRIM
1/4-14 x 7/8" LAP/TEK
ZAC (@0'-6" O.C.)
3/32" X 1" ROLL TAPE
SEALANT
OUTSIDE CLOSURE
PRE-CUT TAPE
BACK-UP PLATE
TREMLOCK LSP PANEL
TREMLOCK LSP CLIP
1/4-14 X 1 1/4" HWH #2 W/O
WASHER (2 PER CLIP)
PURLIN

*NOTE: SOME TRIM ITEMS AND
FASTENERS HAVE BEEN REMOVED
FOR CLARITY OF ISOMETRIC
DETAIL.



SHEET TITLE:

TREMLOCK LSP HIGH SIDE
TIE-IN DETAIL (FLOATING)

SCALE:

NTS

DRAWING No.:

DWG NO. LSP-06