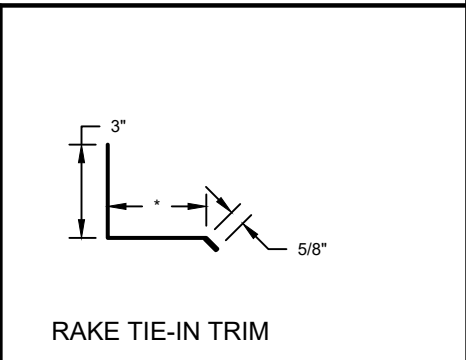
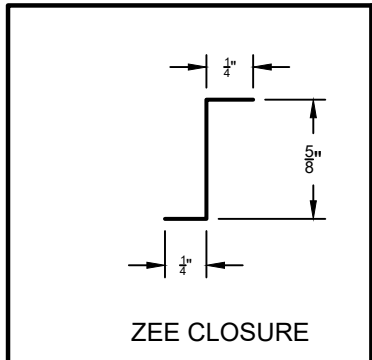
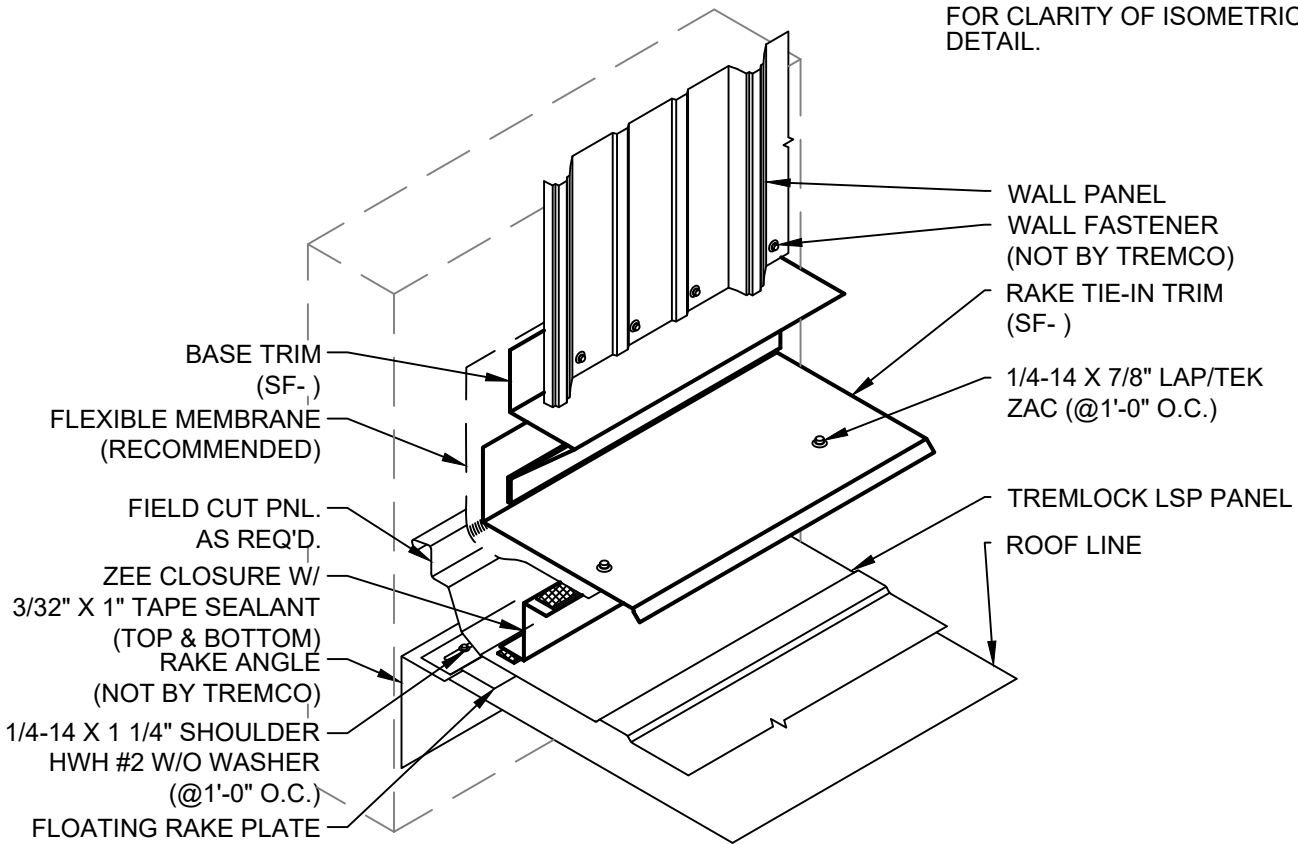


*NOTE: SOME TRIM ITEMS AND FASTENERS HAVE BEEN REMOVED FOR CLARITY OF ISOMETRIC DETAIL.



NOTES

1. Attach Rake Plate to Rake Angel at required location with 1/4-14 x 1 1/4" Shoulder Tek2 @ 1'-0" O.C.
2. Attach Zee Closure to the Rake Plate with 1/4-14 x 1 1/4" Tek2 ZAC @1'-0" O.C.
3. Attach Rake Tie-In Trim to Zee Closure with 1/4-14 x 7/8" Lap/Tek Zac fasteners @1'-0" O.C.
4. Apply tube sealant to trim before lapping.



SHEET TITLE:
**TREMLOCK LSP RAKE START TIE-IN
 DETAIL (FLOATING-OFF MODULE)**

SCALE:
 NTS
 DRAWING No.:
DWG NO. LSP-21