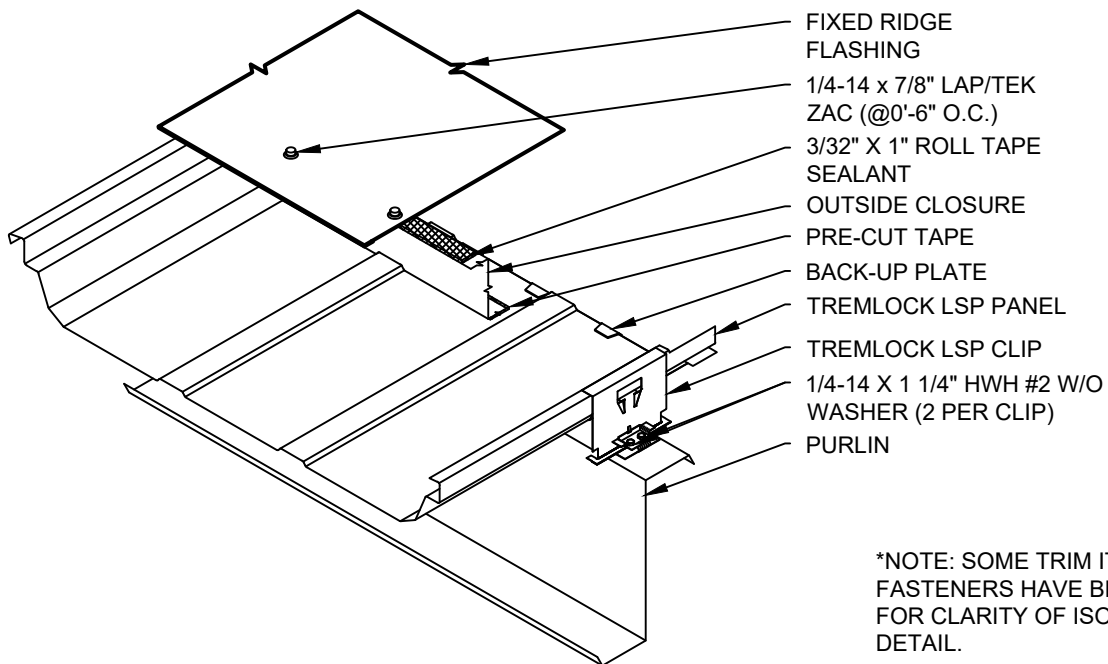


**NOTES**

1. INSTALL BACK-UP PLATES WITH PANELS.
2. USE A TEMPORARY FASTENER AT EACH SIDE OF PANEL TO HOLD BACK-UP PLATE.
3. PANEL MUST BE FULLY SEAMED (180°) BEFORE INSTALLING OUTSIDE CLOSURE.
4. CHECK FOR VOIDS, FILL WITH BUTYL TUBE SEALANT.



\*NOTE: SOME TRIM ITEMS AND FASTENERS HAVE BEEN REMOVED FOR CLARITY OF ISOMETRIC DETAIL.



SHEET TITLE:

**TREMLOCK LSP RIDGE  
DETAIL (FIXED)**

SCALE:

**NTS**

DRAWING No.:

**DWG NO. LSP-22**