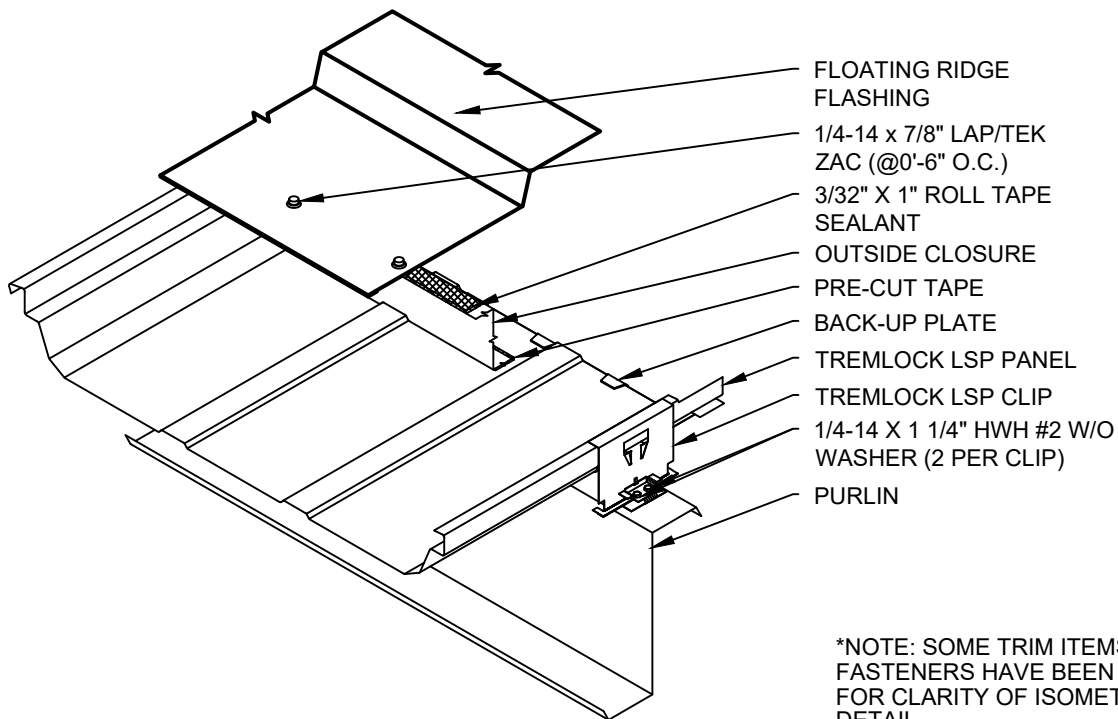


NOTES

1. INSTALL BACK-UP PLATES WITH PANELS.
2. USE A TEMPORARY FASTENER AT EACH SIDE OF PANEL TO HOLD BACK-UP PLATE.
3. PANEL MUST BE FULLY SEAMED (180°) BEFORE INSTALLING OUTSIDE CLOSURE.
4. CHECK FOR VOIDS, FILL WITH BUTYL TUBE SEALANT.



*NOTE: SOME TRIM ITEMS AND FASTENERS HAVE BEEN REMOVED FOR CLARITY OF ISOMETRIC DETAIL.



SHEET TITLE:

TREMLOCK LSP RIDGE
DETAIL (FLOATING)

SCALE:

NTS

DRAWING No.:

DWG NO. LSP-23