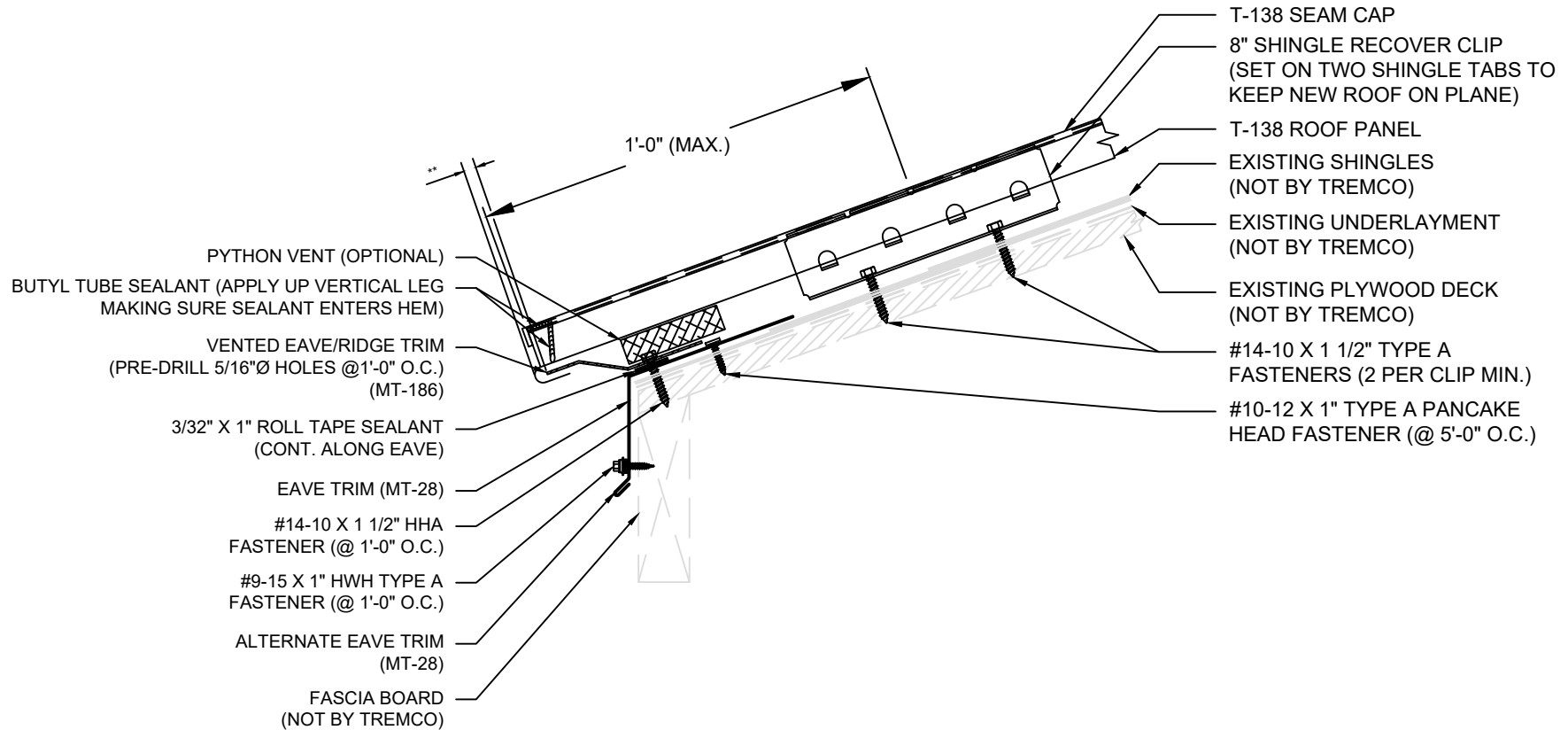
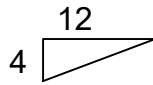


**** CLEARANCE REQUIRED FOR THERMAL MOVEMENT**



- PYTHON VENT (OPTIONAL)
- BUTYL TUBE SEALANT (APPLY UP VERTICAL LEG MAKING SURE SEALANT ENTERS HEM)
- VENTED EAVE/RIDGE TRIM (PRE-DRILL 5/16"Ø HOLES @ 1'-0" O.C.) (MT-186)
- 3/32" X 1" ROLL TAPE SEALANT (CONT. ALONG EAVE)
- EAVE TRIM (MT-28)
- #14-10 X 1 1/2" HHA FASTENER (@ 1'-0" O.C.)
- #9-15 X 1" HWH TYPE A FASTENER (@ 1'-0" O.C.)
- ALTERNATE EAVE TRIM (MT-28)
- FASCIA BOARD (NOT BY TREMCO)

- T-138 SEAM CAP
- 8" SHINGLE RECOVER CLIP (SET ON TWO SHINGLE TABS TO KEEP NEW ROOF ON PLANE)
- T-138 ROOF PANEL
- EXISTING SHINGLES (NOT BY TREMCO)
- EXISTING UNDERLAYMENT (NOT BY TREMCO)
- EXISTING PLYWOOD DECK (NOT BY TREMCO)
- #14-10 X 1 1/2" TYPE A FASTENERS (2 PER CLIP MIN.)
- #10-12 X 1" TYPE A PANCAKE HEAD FASTENER (@ 5'-0" O.C.)



SHEET TITLE:

TREMLOCK T-138 ASV SYSTEM OVER SHINGLES EAVE

SCALE:

NTS

DRAWING No.:

DWG NO. T-138-24