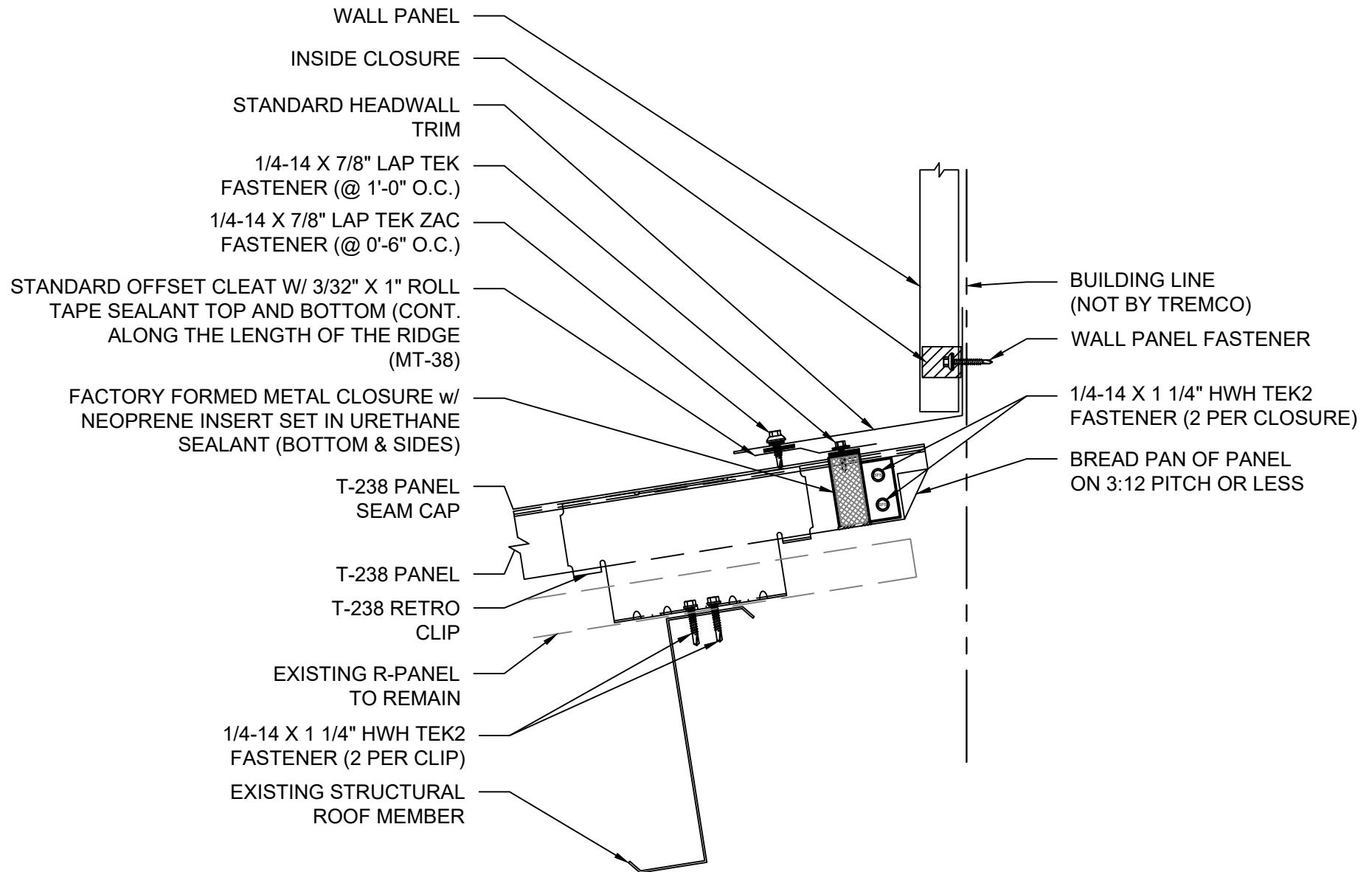


INSULATION REMOVED FOR  
CLARITY OF DETAIL



SHEET TITLE:

TREMLOCK T-238 EXISTING R-PANEL OVER PURLIN  
FIXED HIGH SIDE TIE-IN (RETRO CLIPS)

SCALE:

NTS

DRAWING No.:

DWG NO. T-238-32