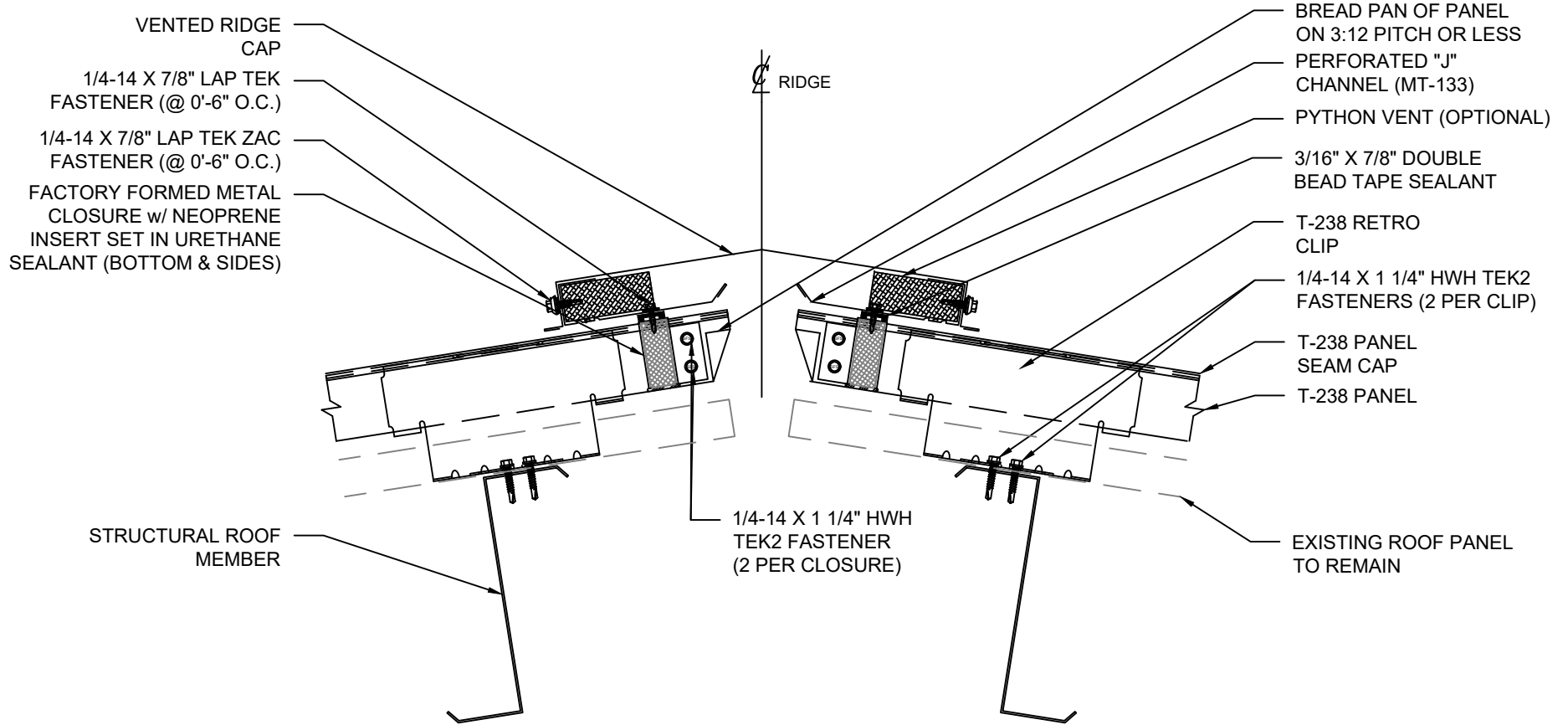


INSULATION REMOVED FOR CLARITY OF DETAIL



SHEET TITLE:

TREMLOCK T-238 EXISTING R-PANEL OVER PURLIN  
FIXED VENTED RIDGE (RETRO CLIPS)

SCALE:

NTS

DRAWING No.:

DWG NO. T-238-35