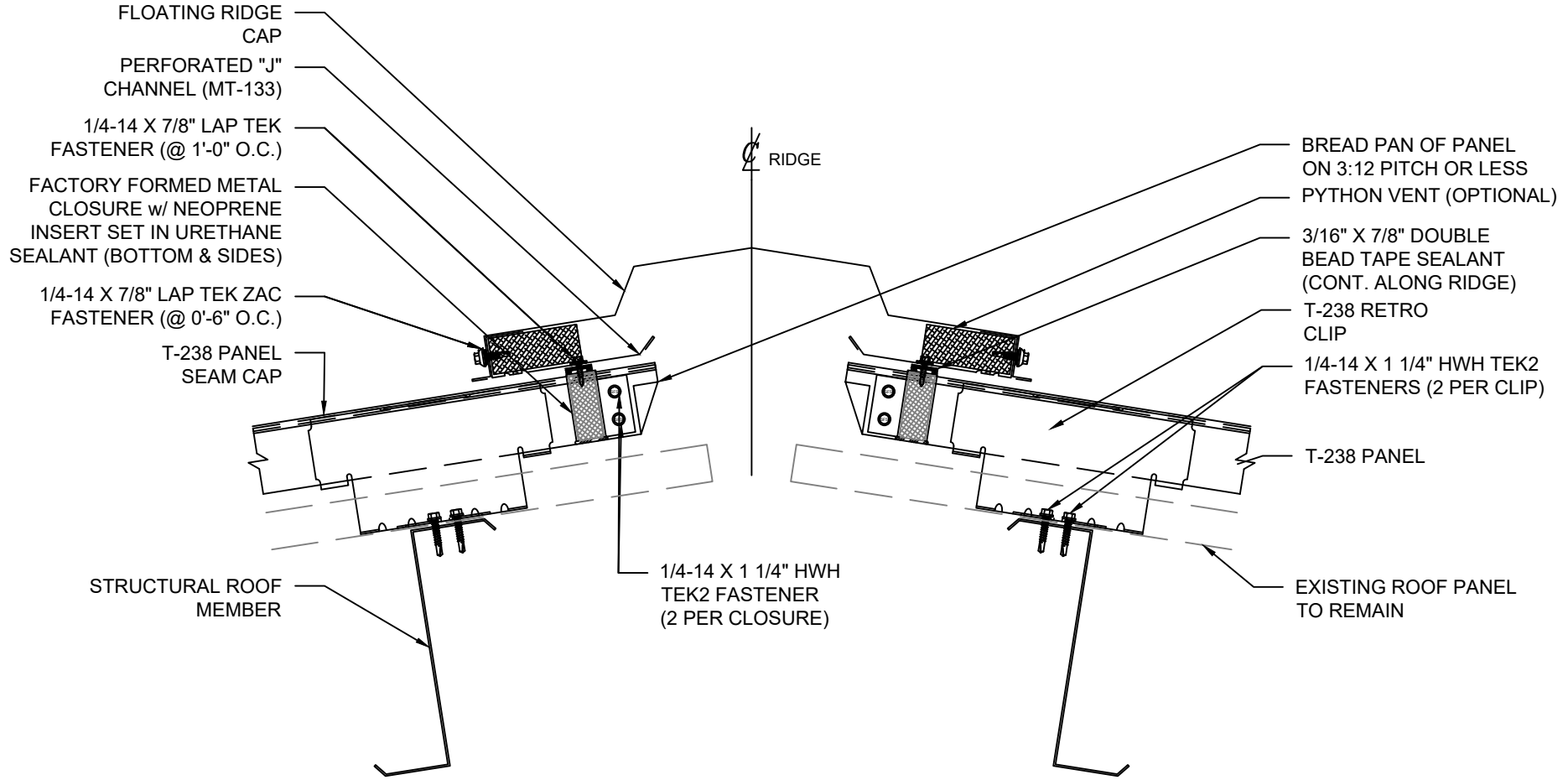


INSULATION REMOVED FOR CLARITY OF DETAIL



FLOATING RIDGE CAP
 PERFORATED "J" CHANNEL (MT-133)
 1/4-14 X 7/8" LAP TEK FASTENER (@ 1'-0" O.C.)
 FACTORY FORMED METAL CLOSURE w/ NEOPRENE INSERT SET IN URETHANE SEALANT (BOTTOM & SIDES)
 1/4-14 X 7/8" LAP TEK ZAC FASTENER (@ 0'-6" O.C.)
 T-238 PANEL SEAM CAP

RIDGE

BREAD PAN OF PANEL ON 3:12 PITCH OR LESS
 PYTHON VENT (OPTIONAL)
 3/16" X 7/8" DOUBLE BEAD TAPE SEALANT (CONT. ALONG RIDGE)
 T-238 RETRO CLIP
 1/4-14 X 1 1/4" HWH TEK2 FASTENERS (2 PER CLIP)
 T-238 PANEL

STRUCTURAL ROOF MEMBER

1/4-14 X 1 1/4" HWH TEK2 FASTENER (2 PER CLOSURE)

EXISTING ROOF PANEL TO REMAIN



SHEET TITLE:
**TREMLOCK T-238 EXISTING R-PANEL OVER PURLIN
 FLOATING VENTED RIDGE (RETRO CLIPS)**

SCALE:
 NTS
 DRAWING No.:
DWG NO. T-238-42