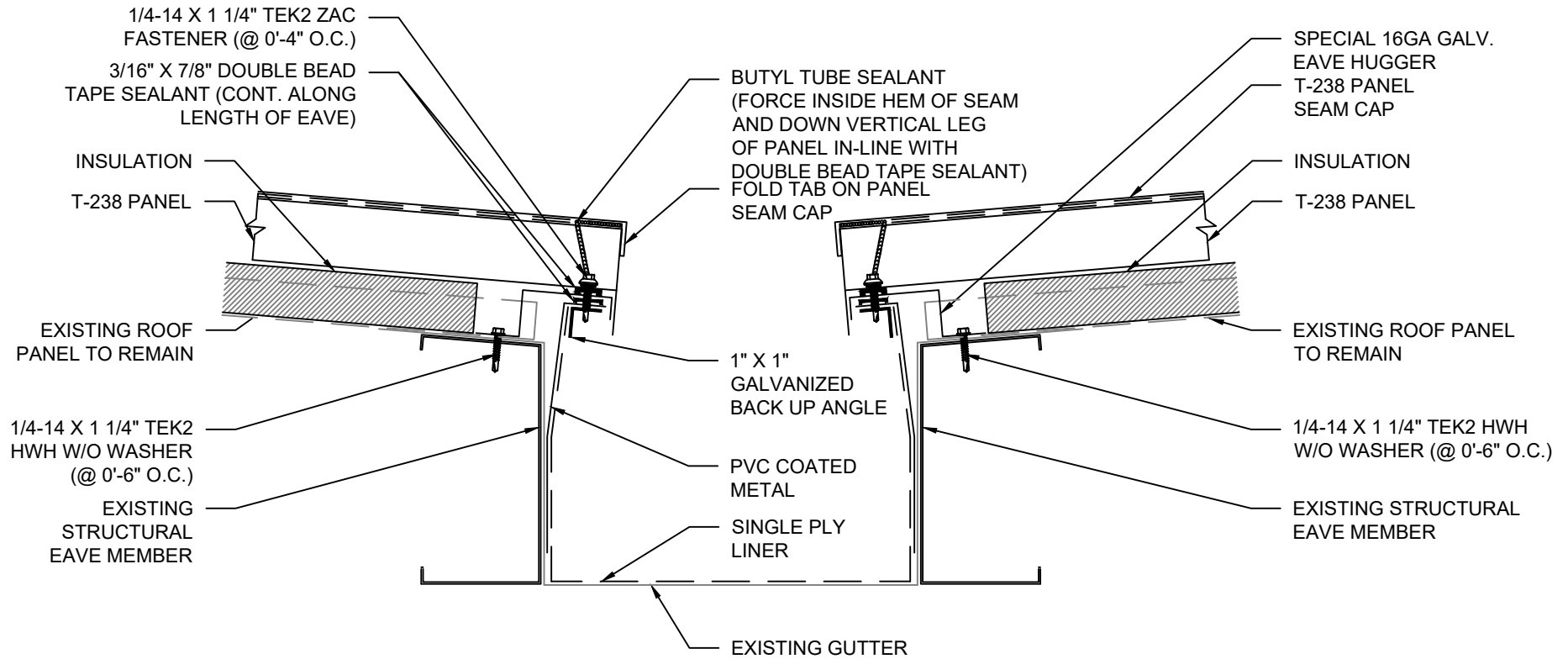


INSULATION REMOVED FOR
CLARITY OF DETAIL



SHEET TITLE:

TREMLOCK T-238 EXISTING R-PANEL OVER PURLIN VALLEY GUTTER (RETRO CLIPS)

SCALE:

NTS

DRAWING No.:

DWG NO. T-238-46