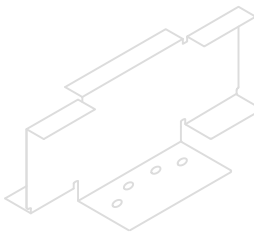
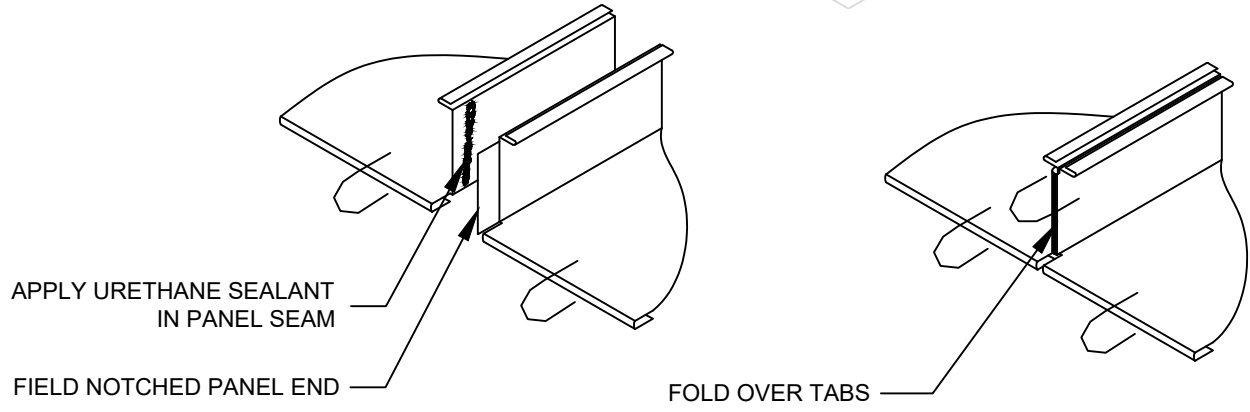


ULTRASpan CLIP
 2-PIECE (24GA)
 (4) FASTENER REQUIRED PER CONNECTION
 (2 PER SIDE)



STANDARD 16GA CLIP
 (2) FASTENER REQUIRED
 PER CONNECTION MIN.



APPLY URETHANE SEALANT
 IN PANEL SEAM
 FIELD NOTCHED PANEL END

FOLD OVER TABS

NOTES

1. FASTENERS SHOWN IN THIS DETAIL MAY NOT BE THE FASTENER USED FOR YOUR PROJECT. BE SURE TO USE FASTENERS SPECIFIC FOR YOUR ROOF APPLICATION. FASTENERS SHOWN ARE A REPRESENTATION OF WHAT MAY BE REQUIRED.
2. AN APPROVED HIGH TEMP SYNTHETIC UNDERLAYMENT MAY BE USED.
3. IF THE SLOPE IS LESS THAN 3/12, TREMCO INC. REQUIRES A HIGH TEMP SELF-ADHERED UNDERLAYMENT.



SHEET TITLE:
 TREMLOCK T-238 EAVE WITH GUTTER

SCALE:
 NTS
 DRAWING No.:
 DWG NO. T-238-49