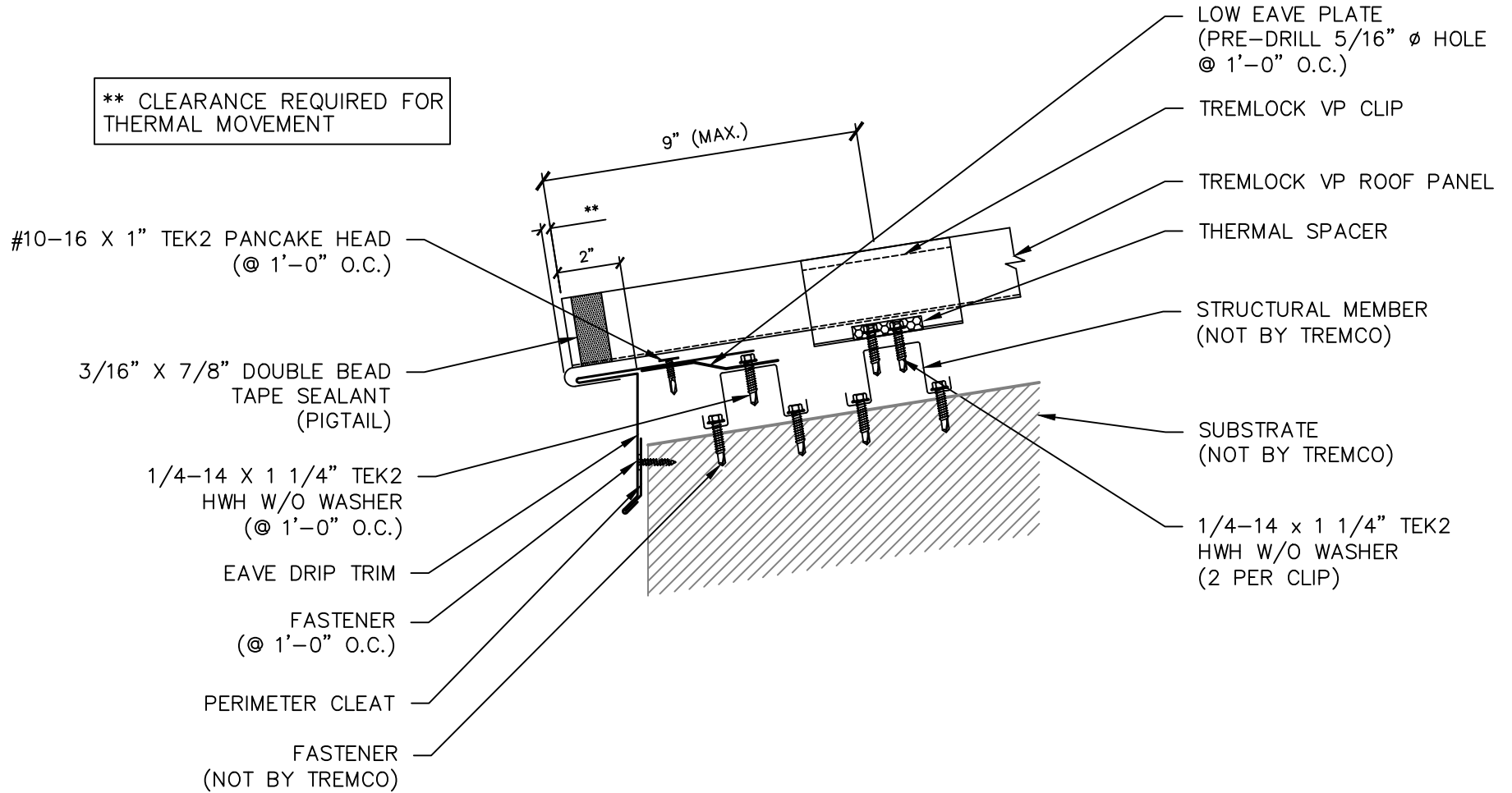


**\*\* CLEARANCE REQUIRED FOR THERMAL MOVEMENT**



SHEET TITLE:

TREMLOCK VP EAVE DRIP TRIM WITH HATS

SCALE:

NTS

DRAWING No.:

DWG NO. VP-02