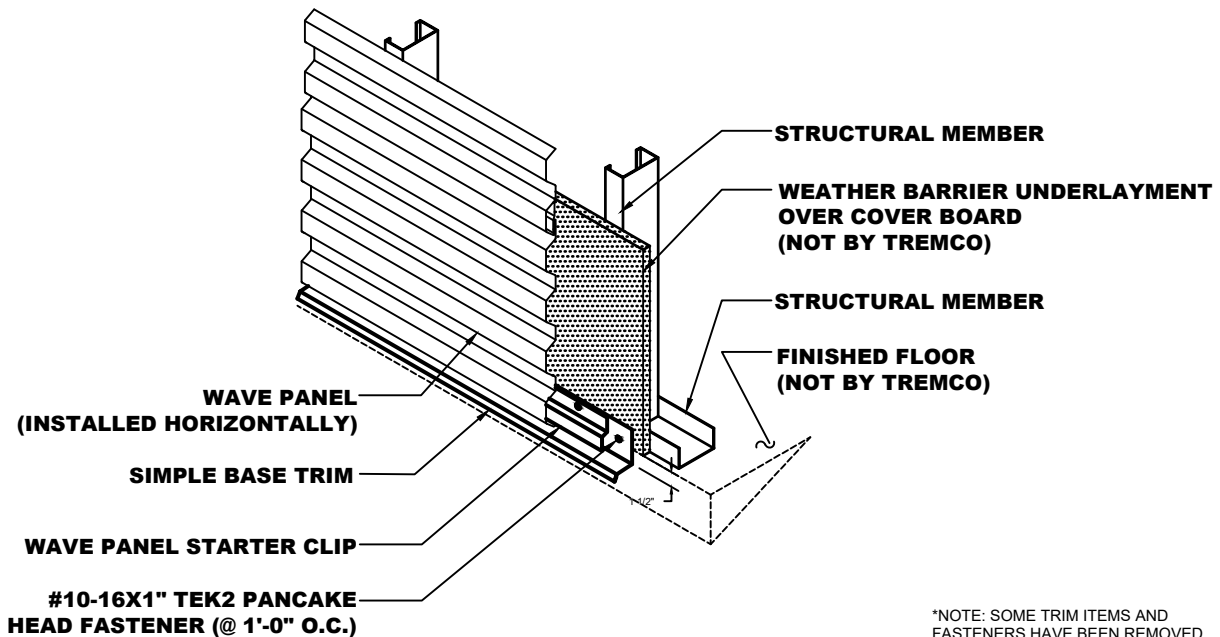


- NOTES:**
1. Base Structural Member set flush with edge of Finished Floor.
 2. Set Simple Base Trim 1 1/2" down face of finished floor.
 3. Set Starter Cleat in position on Simple Base Trim.
 4. Set Wave Panel into place. Make sure to leave a 1/8" gap between trim and panel.



*NOTE: SOME TRIM ITEMS AND FASTENERS HAVE BEEN REMOVED FOR CLARITY OF ISOMETRIC