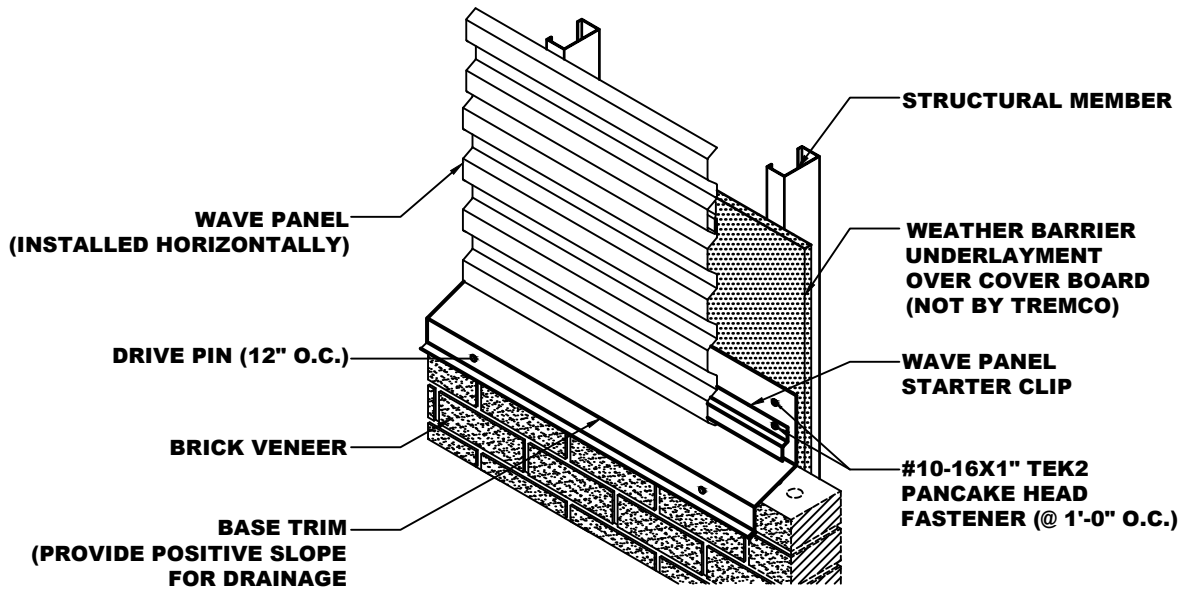


- NOTES:**
1. Set Base Trim in place with Brick Veneer edge.
 2. Set Starter Cleat in position on Base Trim.
 3. Set Wave Panel into place. Make sure to leave a 1/8" gap between trim and panel.



*NOTE: SOME TRIM ITEMS AND FASTENERS HAVE BEEN REMOVED FOR CLARITY OF ISOMETRIC DETAIL.