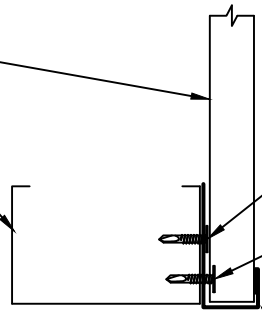


**TREMLOCK FLUSH  
PANEL**

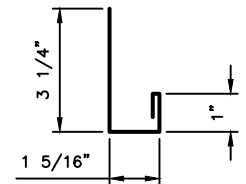
**HEADER**



**#10-12 X 1" TEK2 PANCAKE  
HEAD (@2'-0" O.C.)**

**#10-16 X 1" TEK2 PANCAKE  
HEAD (@ EACH SEAM)**

**PANEL CAP TRIM  
(FIELD DRILL  
WEEP HOLES)  
(1/4" Ø @1'-0" O.C.)**

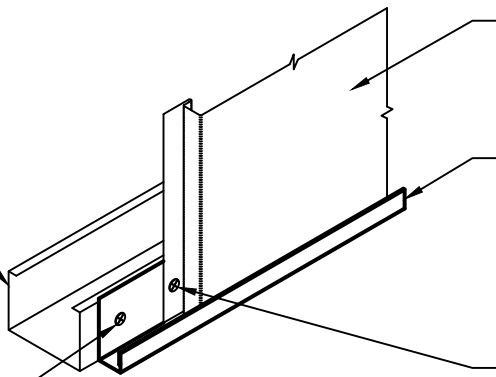


**PANEL CAP  
TRIM**

- NOTES:** 1. Trim to start and end at door/window framing.  
2. Attach trim to header with #10-16 x 1" TEK2 Pancake Head at 2'-0" O.C.  
3. Attach panel to framing with #10-16 x 1" TEK2 Pancake Head.

**HEADER  
(NOT BY TREMCO)**

**#10-16 X 1" TEK2  
PANCAKE HEAD  
(@2'-0" O.C.)**



**TREMLOCK FLUSH  
PANEL**

**PANEL CAP TRIM  
(FEILD DRILL  
WEEP HOLES)  
(1/4" Ø @1'-0" O.C.)**

**#10-16 X 1" TEK2 PANCAKE  
HEAD (@ EACH SEAM)**



SHEET TITLE:

**TREMLOCK FLUSH PANEL  
HEADER DETAIL**

SCALE:

**NTS**

DRAWING No.:

**DWG NO. 04**