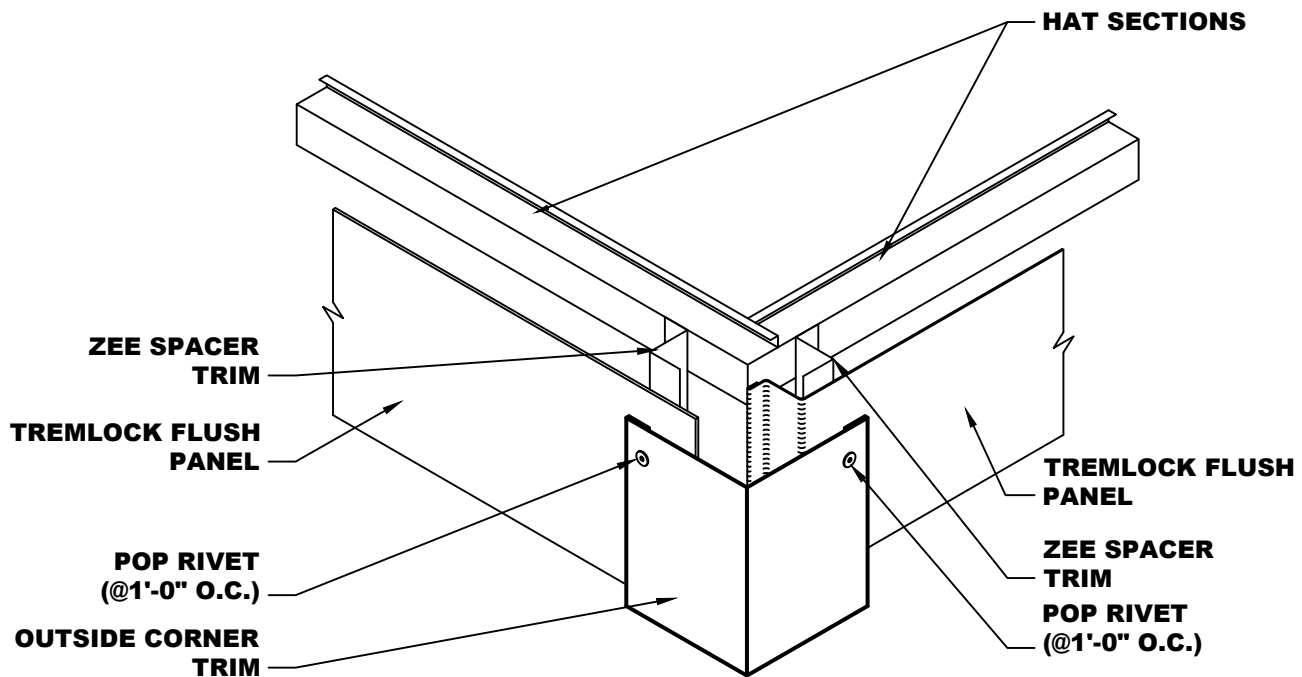


- NOTES:**
1. Locate and attach Zee Spacer Trim with #10-16 x 1" TEK2 Pancake Head fasteners.
 2. Attach panels with #10-12 x 1" TEK2 Pancake Head fasteners.
 3. Attach Outside Corner trim with Pop Rivets @1'-0" O.C..



SHEET TITLE:
TREMLOCK FLUSH PANEL
OUTSIDE CORNER DETAIL

SCALE:
NTS
DRAWING No.:
DWG NO. 06