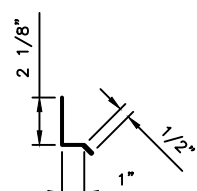
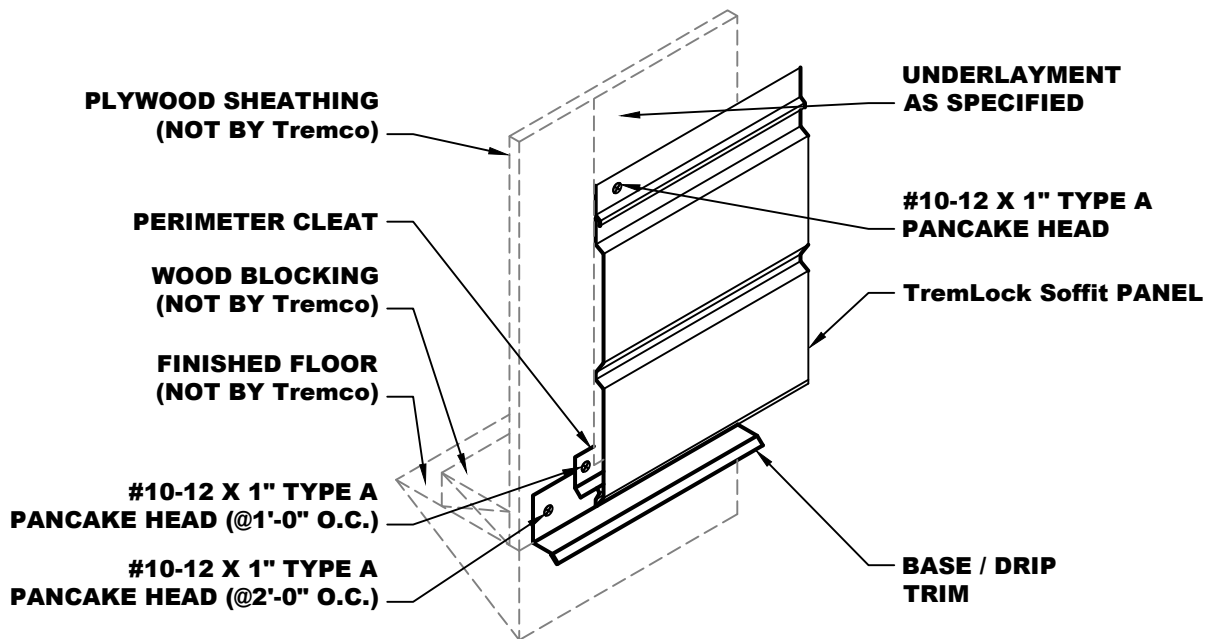


PERIMETER CLEAT



BASE / DRIP TRIM

- NOTES:**
1. Trim and Cleat to start and end at building lines.
 2. Attach trim to sheathing with #10-12 x 1" Type A Pancake Head at 2'-0" O.C.
 3. Attach cleat to sheathing with #10-12 x 1" Type A Pancake Head at 1'-0" O.C.
 4. Attach panel to sheathing with #10-12 x 1" Type A Pancake Head.



SHEET TITLE:
TREMLOCK SOFFIT BASE DETAIL

SCALE:
NTS
DRAWING No.:
DWG NO. 01