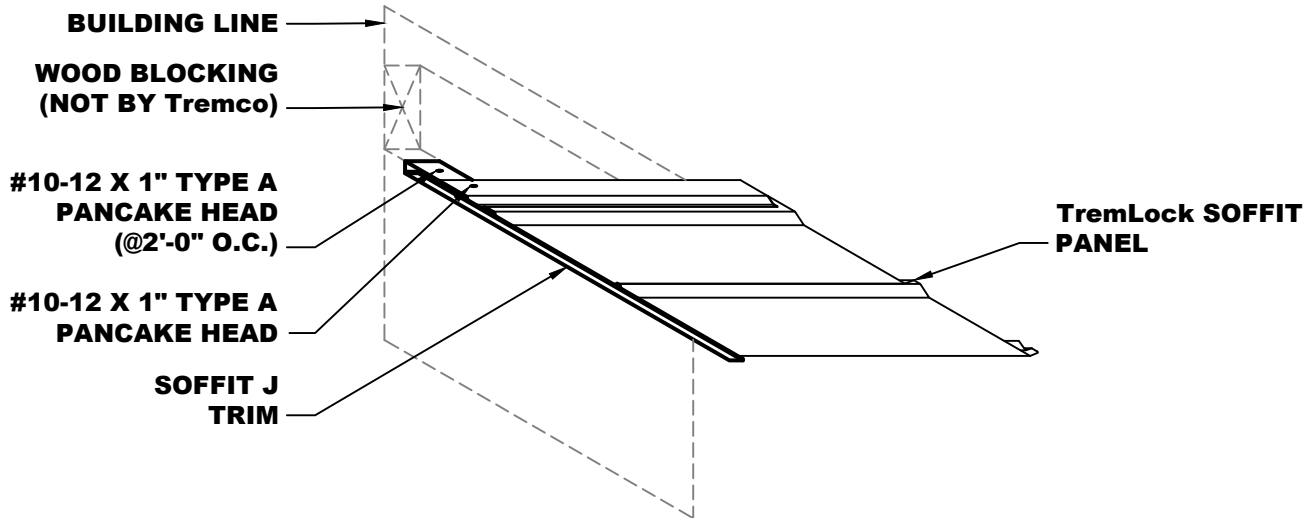


- NOTES:**
1. Trim to start and end at building lines.
 2. Attach trim to blocking with #10-12 x 1" Type A Pancake Head at 2'-0" O.C.
 3. Attach panel to sheathing with #10-12 x 1" Type A Pancake Head.



SHEET TITLE:
TREMLOCK BUILDING
SOFFIT DETAIL

SCALE:
NTS
DRAWING No.:
DWG NO. 02