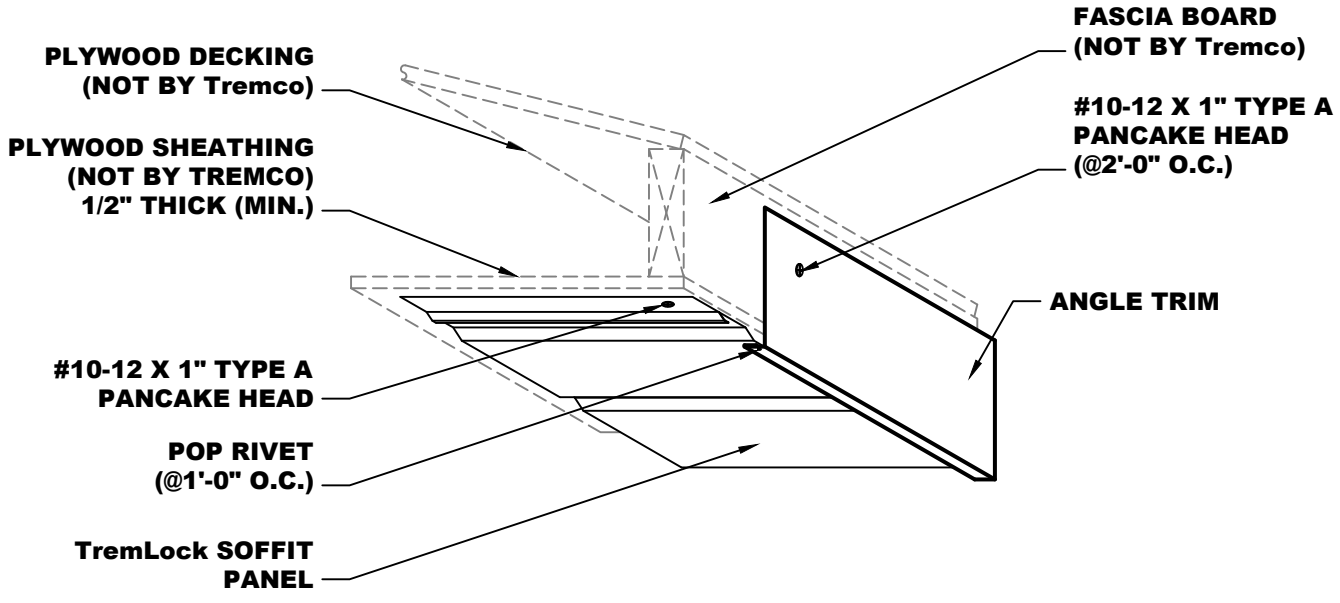


- NOTES:**
1. Trim to start and end at building lines.
  2. Attach trim to blocking with #10-12 x 1" Type A Pancake Head at 2'-0" O.C.
  3. Attach panel to sheathing with #10-12 x 1" Type A Pancake Head.



SHEET TITLE:  
TREMLOCK FASCIA SOFFIT  
PANEL DETAIL

SCALE:  
NTS  
DRAWING No.:  
DWG NO. 03