

#10-12 X 1" TYPE A
PANCAKE HEAD

UNDERLAYMENT
(AS SPECIFIED)

MATRIX
PANEL

POP RIVET
(@1'-0" O.C.)

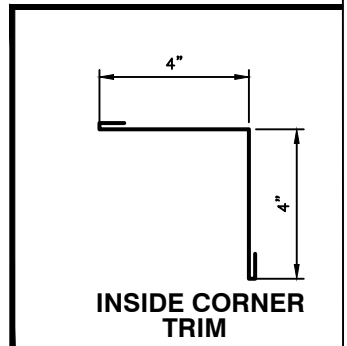
INSIDE CORNER
TRIM

TremLock Soffit
PANEL

PLYWOOD SHEATHING
(NOT BY Tremco)
1/2" THICK (MIN.)

#10-12 X 1" TYPE A
PANCAKE HEAD

UNDERLAYMENT
AS SPECIFIED



- NOTES:** 1. Trim to start and end at building lines.
2. Attach panels to sheathing with #10-12 x 1" Type A Pancake Head.
3. Attach trim to panels with Pop Rivet @1'-0" O.C.

PLYWOOD SHEATHING
(NOT BY Tremco)
1/2" THICK (MIN.)

POP RIVET
(@1'-0" O.C.)

UNDERLAYMENT
AS SPECIFIED

TremLock Soffit
PANEL

PLYWOOD SHEATHING
(NOT BY Tremco)
1/2" THICK (MIN.)

UNDERLAYMENT
AS SPECIFIED

POP RIVET
(@1'-0" O.C.)

TremLock Soffit
PANEL

INSIDE CORNER
TRIM



SHEET TITLE:
TREMLOCK SOFFIT INSIDE
CORNER DETAIL

SCALE:
NTS
DRAWING No.:
DWG NO. 04