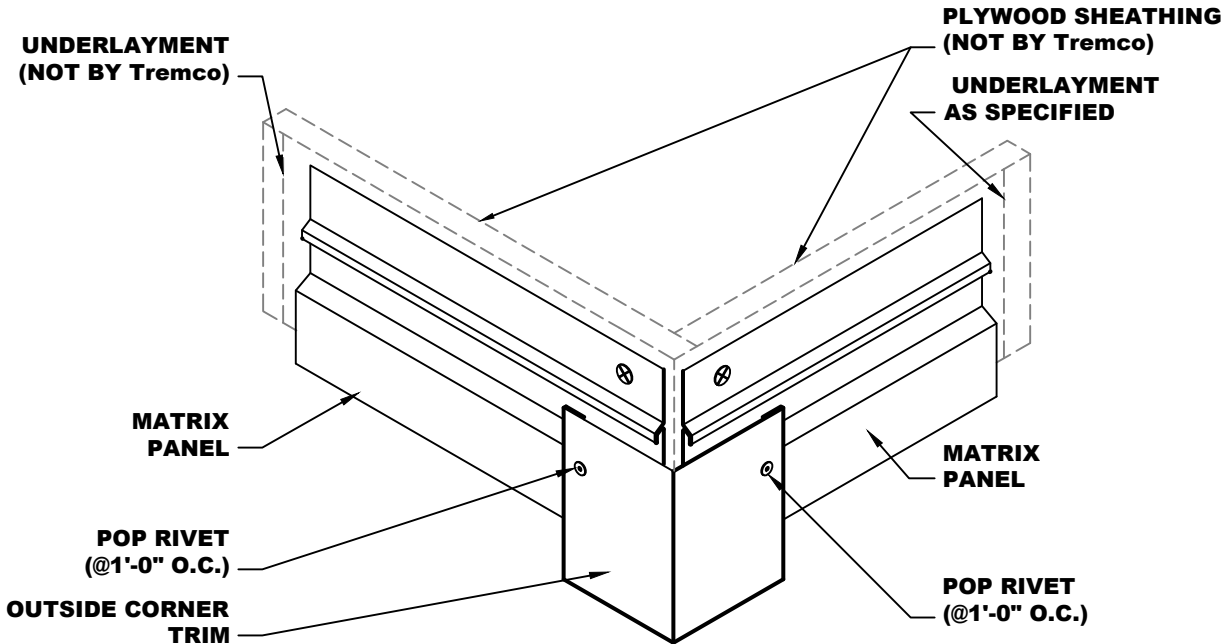


- NOTES:**
1. Trim to start and end at building lines.
  2. Attach panel to sheathing with #10-12 x 1" Type A Pancake Head.
  3. Attach trim to panel with Pop Rivet @1'-0" O.C.



SHEET TITLE:  
**TREMLOCK SOFFIT  
 OUTSIDE CORNER DETAIL**

SCALE:  
**NTS**  
 DRAWING No.:  
**DWG NO. 06**