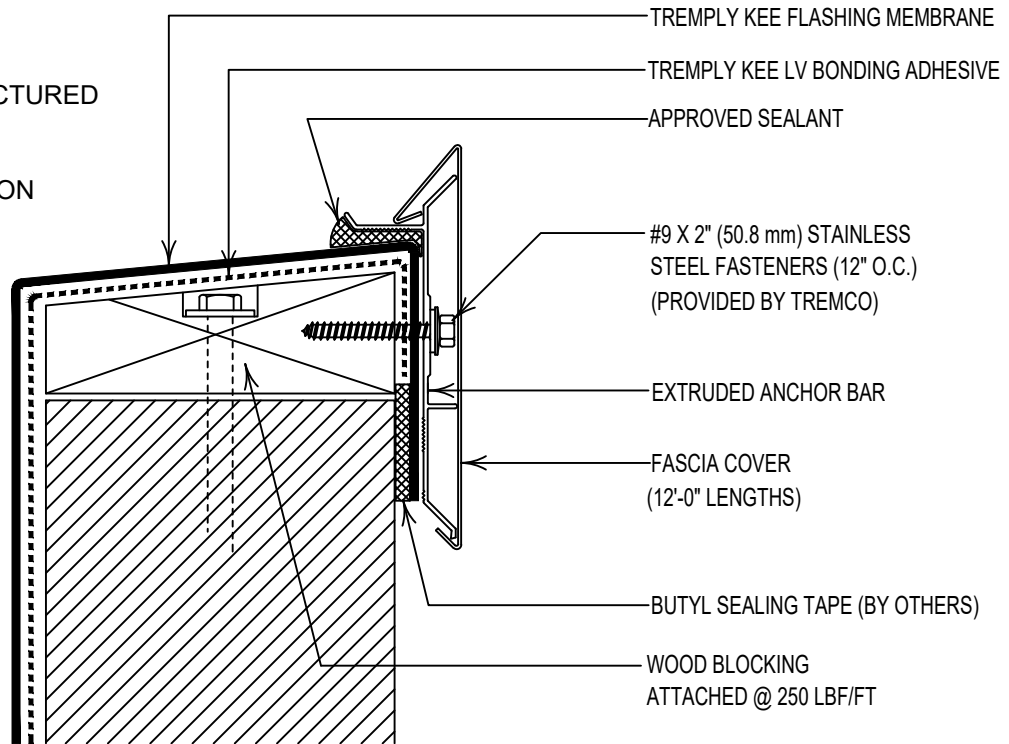


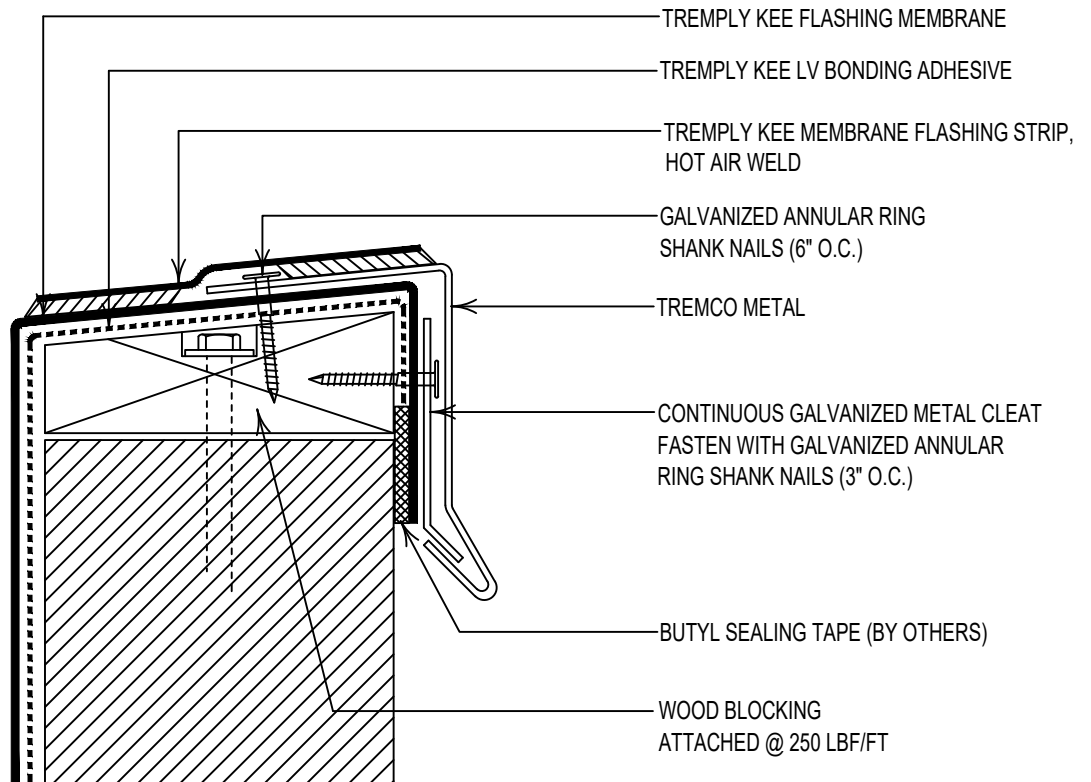
STANDARD FASCIA

NOTES

1. INSTALL PRE-MANUFACTURED EDGE SYSTEM PER SPECIFICATIONS AND TREMCO'S INSTALLATION REQUIREMENTS.



CLAD METAL



SHEET TITLE:

ALTERNATE
COPING/FLASHING

SCALE:

NTS

DRAWING No.:

DWG NO. 05