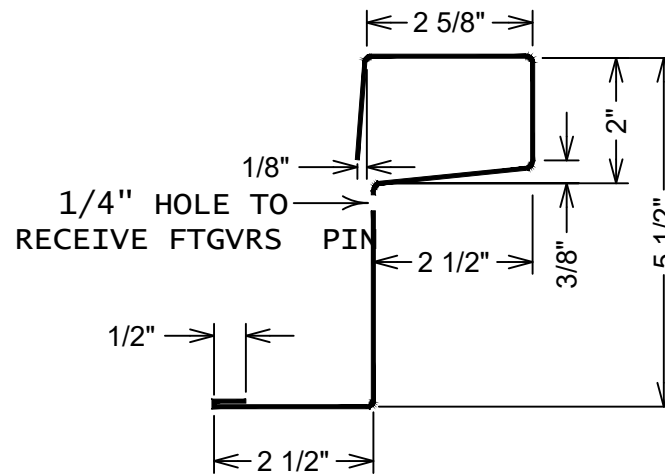
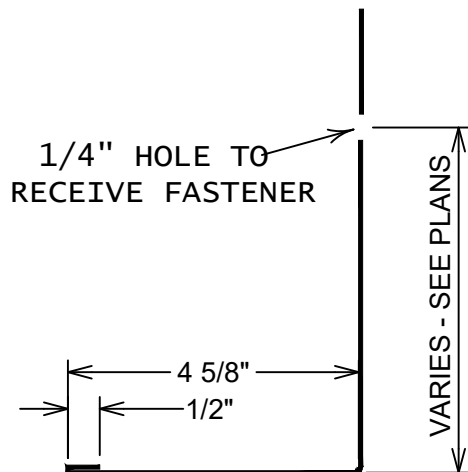


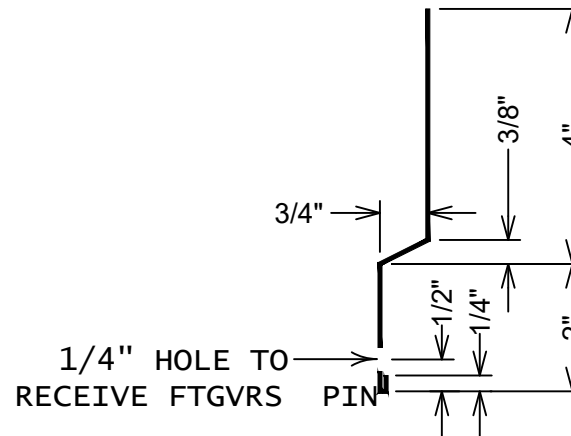
A APPROVED EDGING
PART NO. - EDG-001



B APPROVED EDGING - IRRIGATION CONCEALMENT
PART NO. - EDG-002



C APPROVED PARAPET FLASHING - BASE
PART NO. - PF-001



D APPROVED PARAPET FLASHING - WALL
PART NO. - PF-002

NOTES

1. EDGER AND FLASHINGS ARE AVAILABLE IN 24 GA. (0.0239) STAINLESS STEEL OR 18 GA. (0.040) ALUMINUM WITH MILL FINISH



SHEET TITLE:

GREEN VEGETATED ROOF SYSTEM METAL EDGER
AND WALL FLASHING PROFILES

SCALE:

NTS

DRAWING No.:

DWG NO. 50