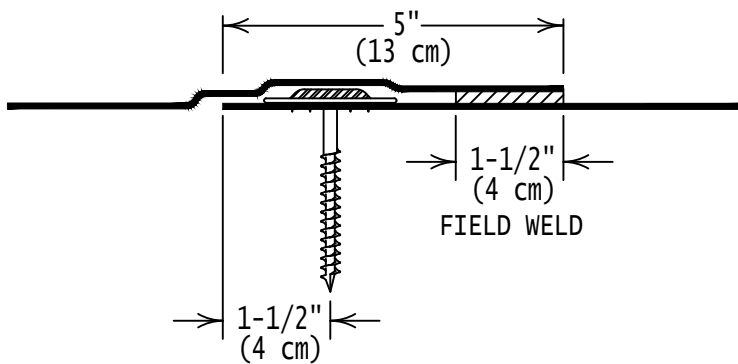
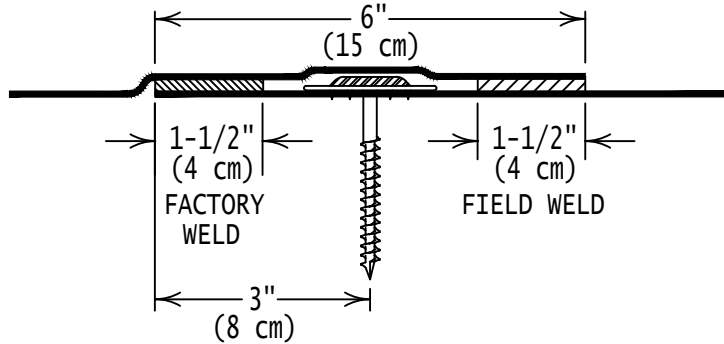


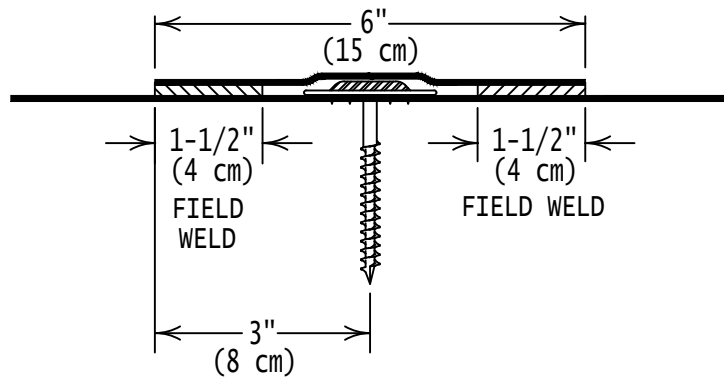
LAP STYLE "A" OPEN



LAP STYLE "B" OPEN



LAP STYLE "C" CLOSED



LAP STYLE "D" CLOSED