

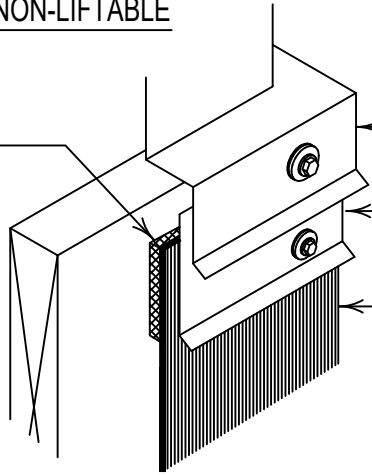
NON-LIFTABLE

APPROVED SEALANT
BEHIND TOP OF FLASHING

MECHANICAL UNIT

METAL COUNTERFLASHING, FASTEN W/
EPDM WASHERED FASTENERS (12" O.C.)

TREMPLY KEE FLASHING (FULLY ADHERED)



8" MIN.

GALVANIZED ANNULAR
RING SHANK NAILS
(3" O.C.)

ROOF TOP UNIT
OR SKYLIGHT

EPDM WASHERED FASTENER
AS REQUIRED

TREMPLY KEE MEMBRANE FLASHING
ADHERED IN TREMPLY KEE LV
BONDING ADHESIVE

PREMOLDED CORNER

HOT AIR WELD

WOOD BLOCKING/CURB CONSTRUCTION
ATTACHED @ 250 LBF/FT

INSULATION ATTACHED PER
SPECIFICATION REQUIREMENTS

TREMPLY KEE
MEMBRANE

GALVANIZED ANNULAR
RING SHANK NAILS
(6" O.C.)

