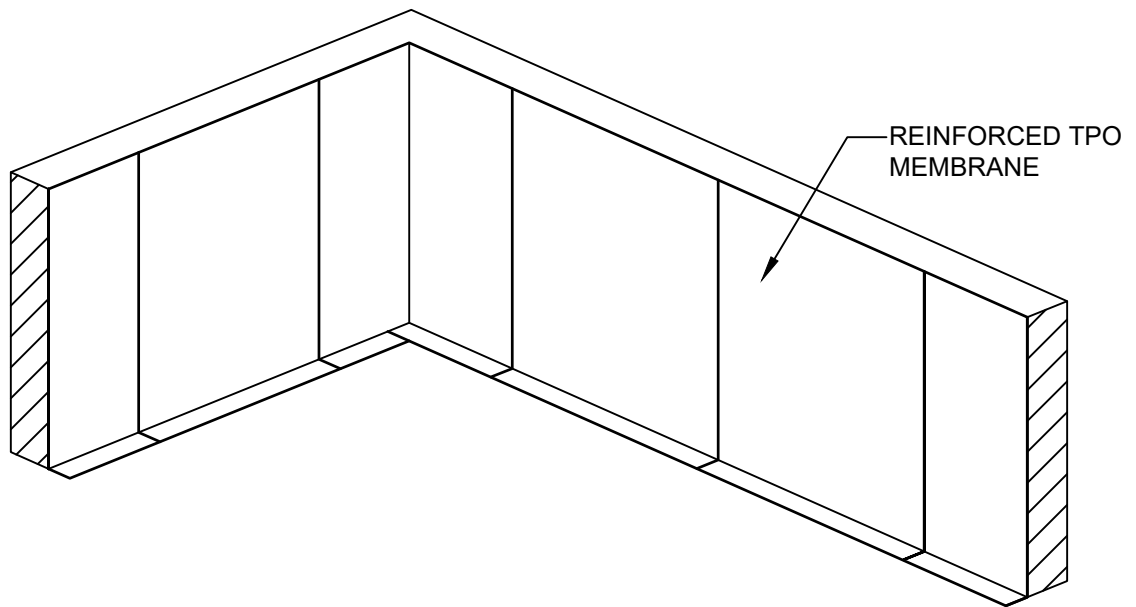


NOTES

1. FIRST THREE SHEETS FROM THE CORNER AND FIRST THREE SHEET FROM THE WALL EDGE REQUIRE A ROW APPROVED PLATES AND FASTENERS 12" O.C. MID WAY UP THE WALL AS SHOWN.



NOTES

1. FIRST SHEET FROM THE CORNER AND FIRST SHEET FROM THE WALL EDGE ARE 10' (3.05 m) WIDE. ALL SHEETS IN BETWEEN ARE 20' (6.10 m) WIDE.



SHEET TITLE:
 HIGH WALL FLASHING DETAIL
 INTERMITTENT FASTENING &
 VERTICAL SHEET LAYOUT

SCALE:
 NTS
 DRAWING No.:
 DWG NO. 47