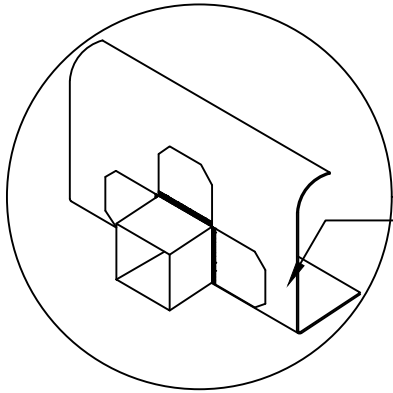
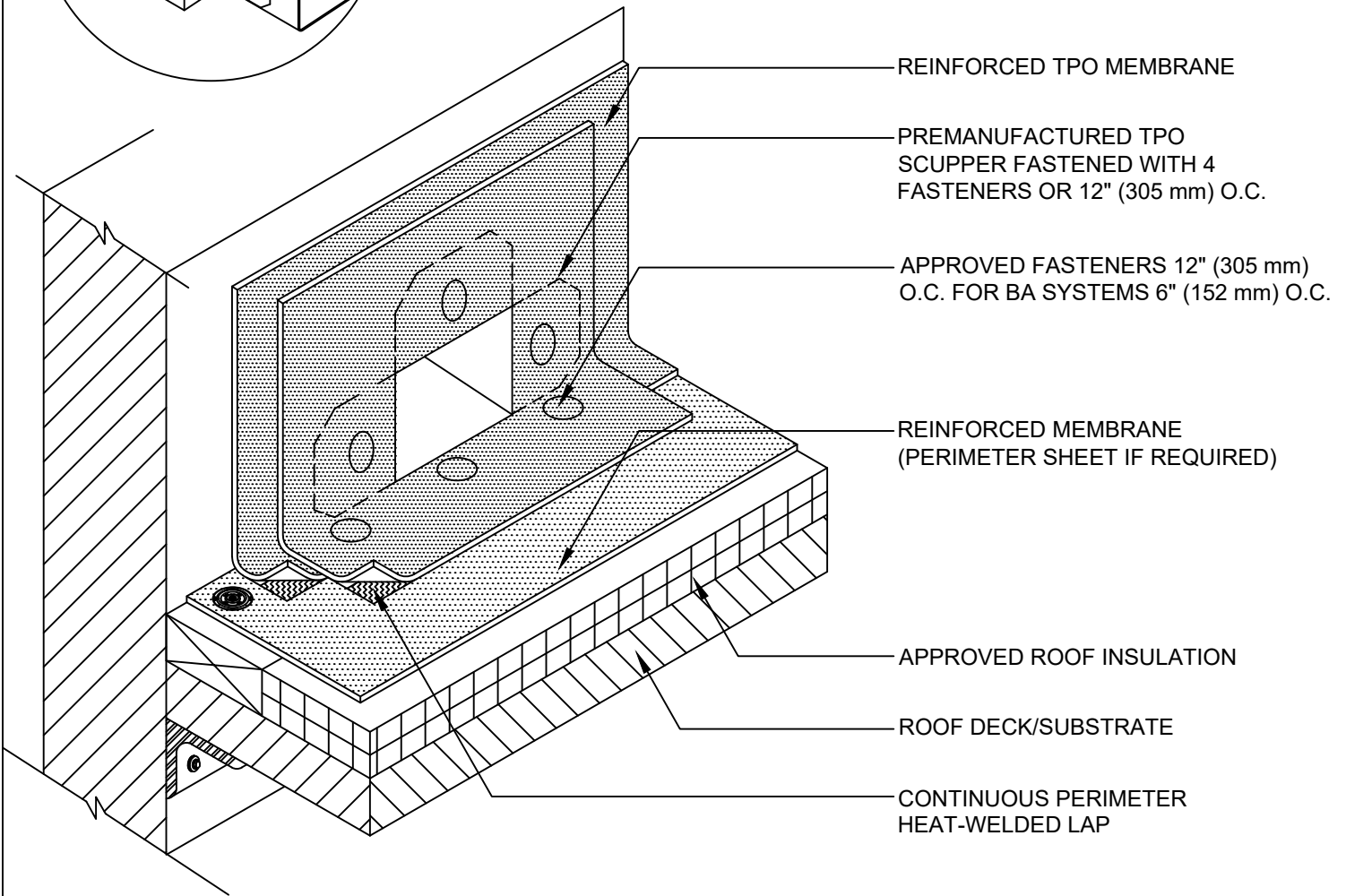


REAR VIEW OF SCUPPER



REINFORCED TPO MEMBRANE



REINFORCED TPO MEMBRANE

PREMANUFACTURED TPO SCUPPER FASTENED WITH 4 FASTENERS OR 12" (305 mm) O.C.

APPROVED FASTENERS 12" (305 mm) O.C. FOR BA SYSTEMS 6" (152 mm) O.C.

REINFORCED MEMBRANE (PERIMETER SHEET IF REQUIRED)

APPROVED ROOF INSULATION

ROOF DECK/SUBSTRATE

CONTINUOUS PERIMETER HEAT-WELDED LAP

NOTES

1. DETAIL TO BE USED IN CONJUNCTION WITH STANDARD GUIDE SPECIFICATION CONTAINING REQUIREMENTS FOR NAILERS, INSULATION ETC..
2. FOR INSULATION THICKNESS GREATER THAN 8" (203 mm), A HARD BOARD IS REQUIRED ON MECHANICAL SYSTEMS ONLY.
3. ALTERNATE BASE ATTACHMENT



SHEET TITLE:

SCUPPER - PREMANUFACTURED

SCALE:

NTS

DRAWING No.:

DWG NO. 77