

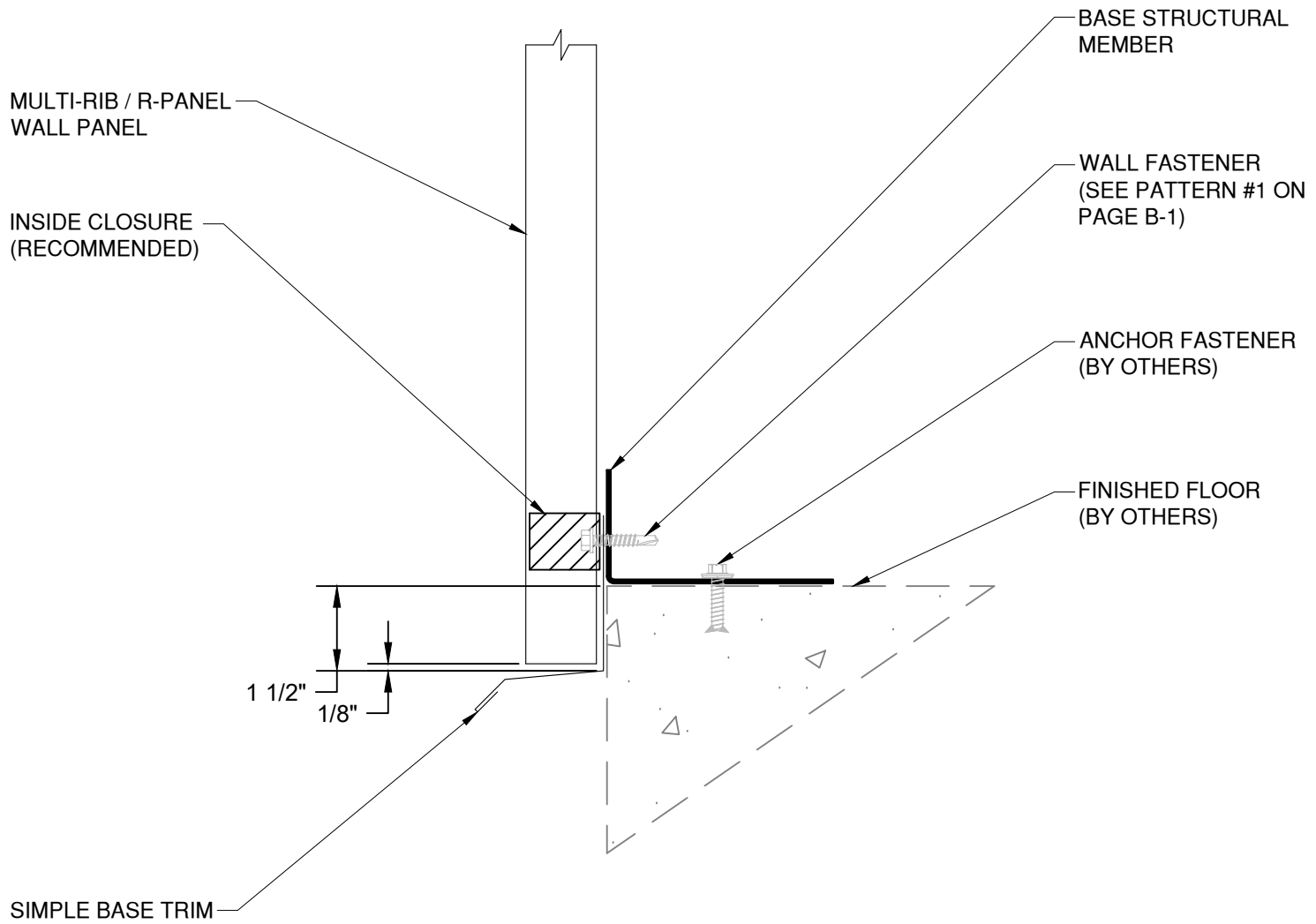
*This detail is for general informational purposes only. The project design professional determines, in its sole discretion, whether this detail or a functionally equivalent detail is best suited for the project with respect to any architecture, engineering, and design requirements, including any local building code requirements. If this document is not reviewed and the product is not approved for use by a licensed design professional, the customer agrees that the detail may contain substantive flaws requiring correction, and hereby releases Tremco CPG Inc. from any and all liability related to the design and installation of the product. This detail is subject to change without notice. Contact Tremco to ensure you have the most recent version.*

**R Panel**



Detail: Base			File Name:  27865
Drawn by: HDE	Checked by: JW	Scale: NTS	
Revision #: 0	Revised by: NA	Date: 12/18/2024	





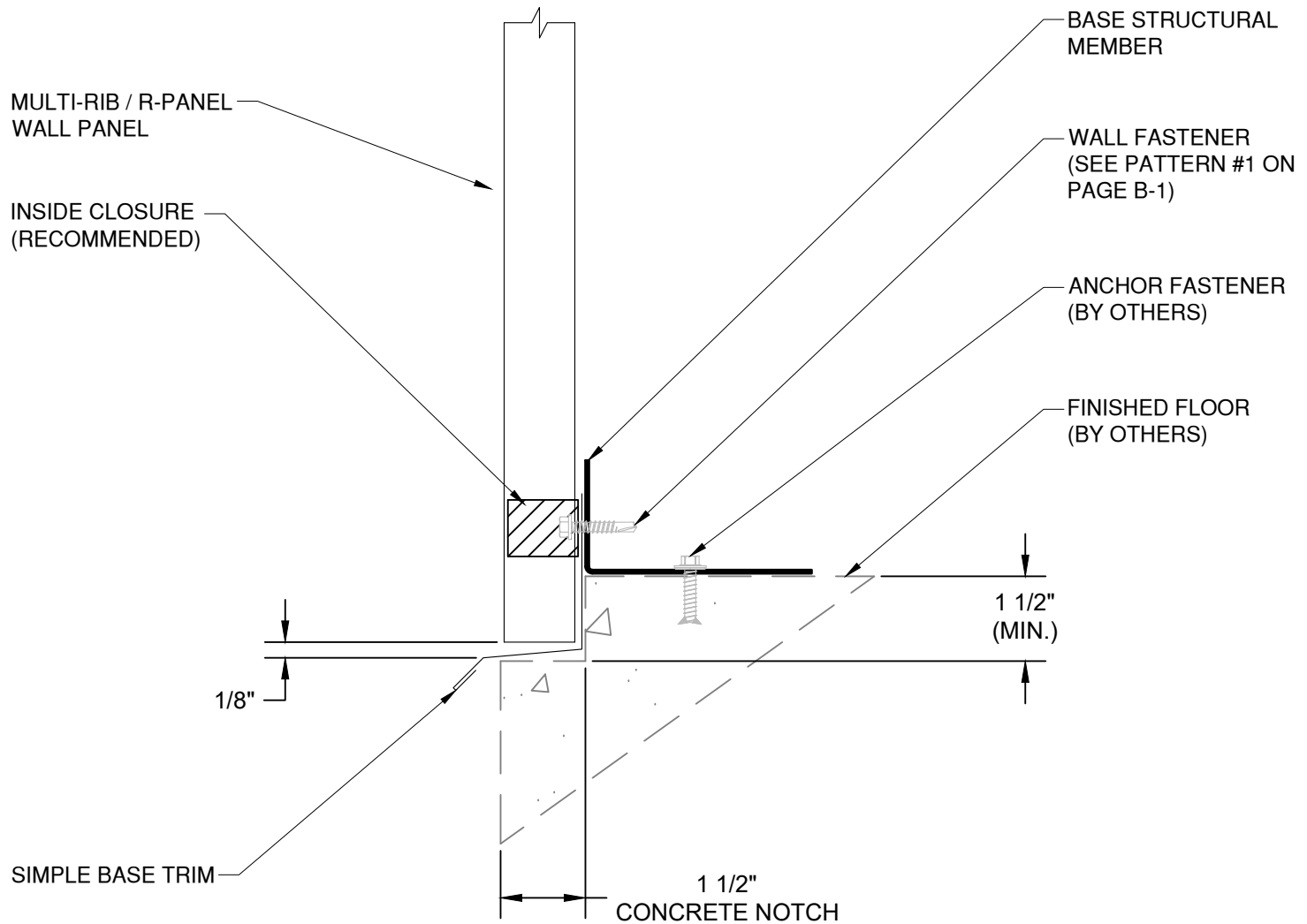
*This detail is for general informational purposes only. The project design professional determines, in its sole discretion, whether this detail or a functionally equivalent detail is best suited for the project with respect to any architecture, engineering, and design requirements, including any local building code requirements. If this document is not reviewed and the product is not approved for use by a licensed design professional, the customer agrees that the detail may contain substantive flaws requiring correction, and hereby releases Tremco CPG Inc. from any and all liability related to the design and installation of the product. This detail is subject to change without notice. Contact Tremco to ensure you have the most recent version.*

**R Panel**



Detail: Simple Base			File Name:  27866
Drawn by: HDE	Checked by: JW	Scale: NTS	
Revision #: 0	Revised by: NA	Date: 12/18/2024	





*This detail is for general informational purposes only. The project design professional determines, in its sole discretion, whether this detail or a functionally equivalent detail is best suited for the project with respect to any architecture, engineering, and design requirements, including any local building code requirements. If this document is not reviewed and the product is not approved for use by a licensed design professional, the customer agrees that the detail may contain substantive flaws requiring correction, and hereby releases Tremco CPG Inc. from any and all liability related to the design and installation of the product. This detail is subject to change without notice. Contact Tremco to ensure you have the most recent version.*

**R Panel**

	Detail: Simple Base with Concrete Notch			File Name:
	Drawn by: HDE	Checked by: JW	Scale: NTS	27867
	Revision #: 0	Revised by: NA	Date: 12/18/2024	
www.tremcocpg.com				

MULTI-RIB / R-PANEL  
WALL PANEL

INSIDE CLOSURE  
(RECOMMENDED)

MASONRY WAINSCOAT TRIM

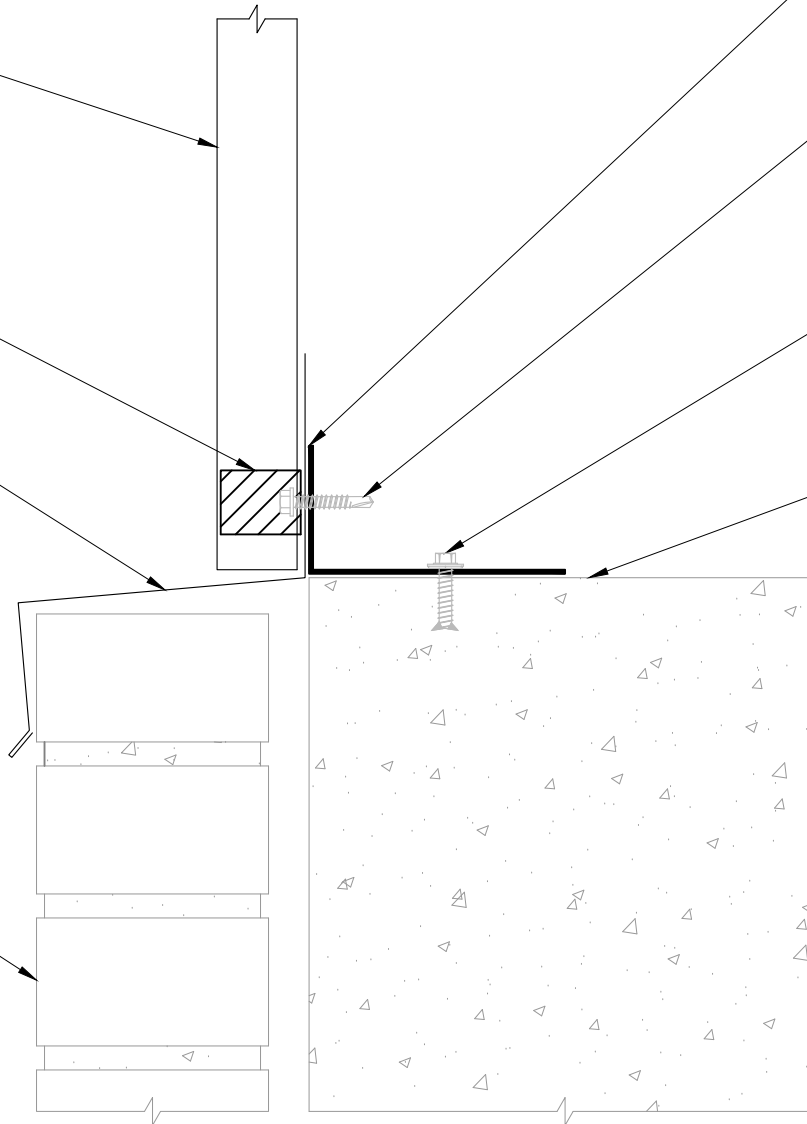
BRICK WALL  
(BY OTHERS)

STRUCTURAL BASE  
MEMBER

WALL FASTENER  
(SEE PATTERN #1  
ON PAGE B-1)

ANCHOR FASTENER  
(BY OTHERS)

BLOCK WALL  
(BY OTHERS)



*This detail is for general informational purposes only. The project design professional determines, in its sole discretion, whether this detail or a functionally equivalent detail is best suited for the project with respect to any architecture, engineering, and design requirements, including any local building code requirements. If this document is not reviewed and the product is not approved for use by a licensed design professional, the customer agrees that the detail may contain substantive flaws requiring correction, and hereby releases Tremco CPG Inc. from any and all liability related to the design and installation of the product. This detail is subject to change without notice. Contact Tremco to ensure you have the most recent version.*

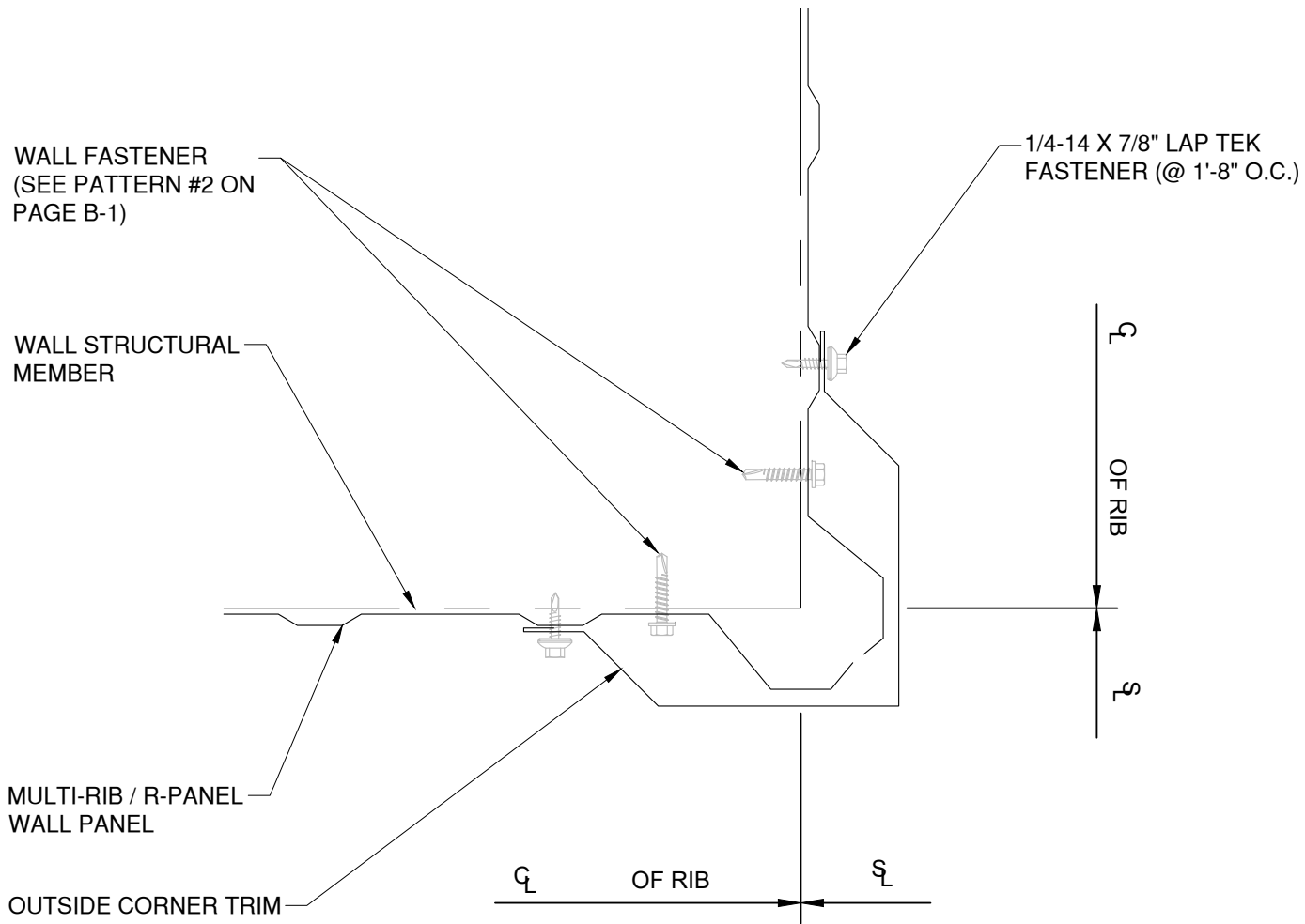
**R Panel**



Detail: Masonry Wainscoat			File Name:  27868
Drawn by: HDE	Checked by: JW	Scale: NTS	
Revision #: 0	Revised by: NA	Date: 12/18/2024	



[www.tremcocpg.com](http://www.tremcocpg.com)

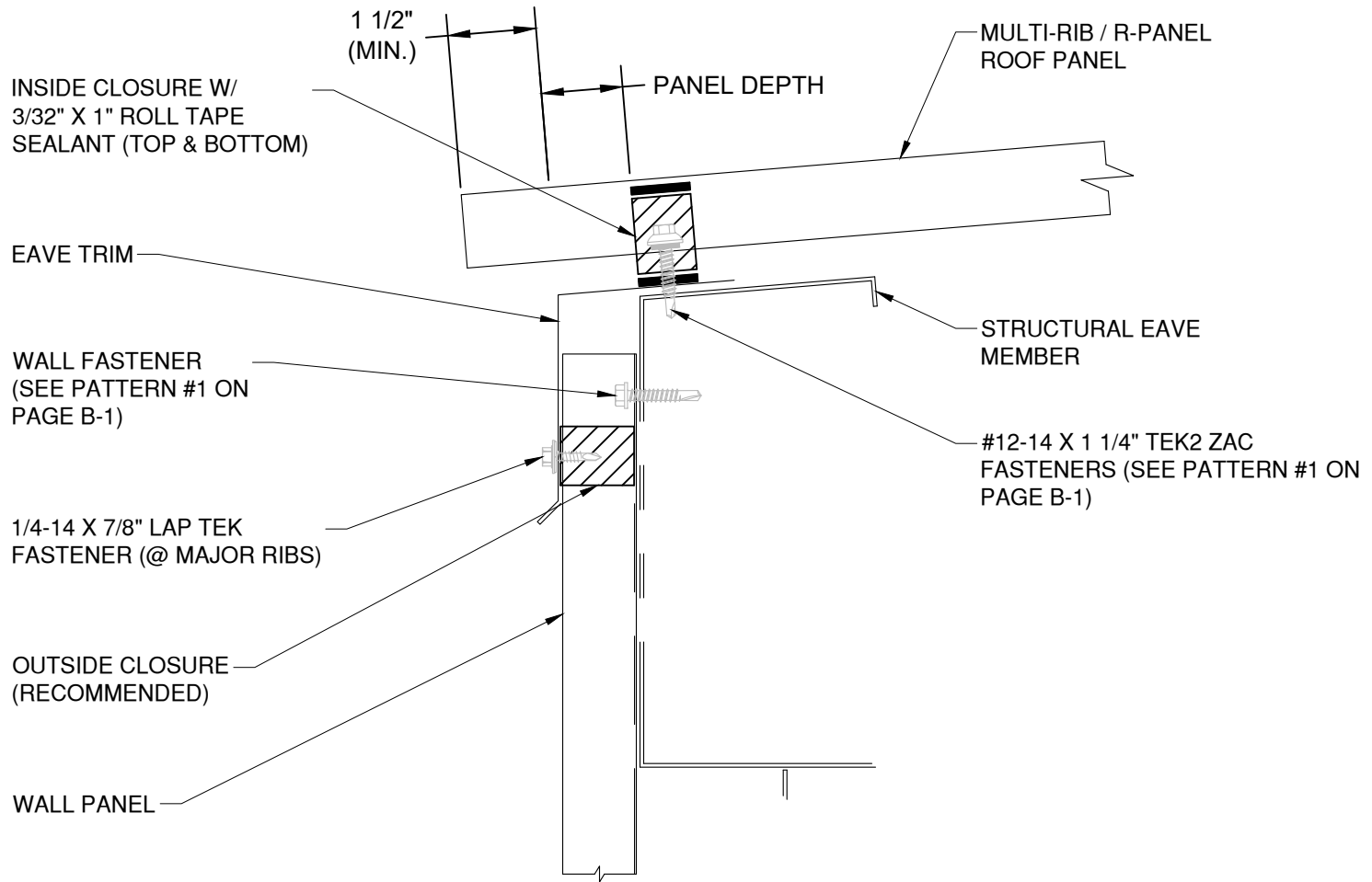




*This detail is for general informational purposes only. The project design professional determines, in its sole discretion, whether this detail or a functionally equivalent detail is best suited for the project with respect to any architecture, engineering, and design requirements, including any local building code requirements. If this document is not reviewed and the product is not approved for use by a licensed design professional, the customer agrees that the detail may contain substantive flaws requiring correction, and hereby releases Tremco CPG Inc. from any and all liability related to the design and installation of the product. This detail is subject to change without notice. Contact Tremco to ensure you have the most recent version.*

**R Panel**

	Detail: Outside Corner			File Name:  27869	
	Drawn by: HDE	Checked by: JW	Scale: NTS		
	Revision #: 0	Revised by: NA	Date: 12/18/2024		
<small>www.tremcocpg.com</small>					

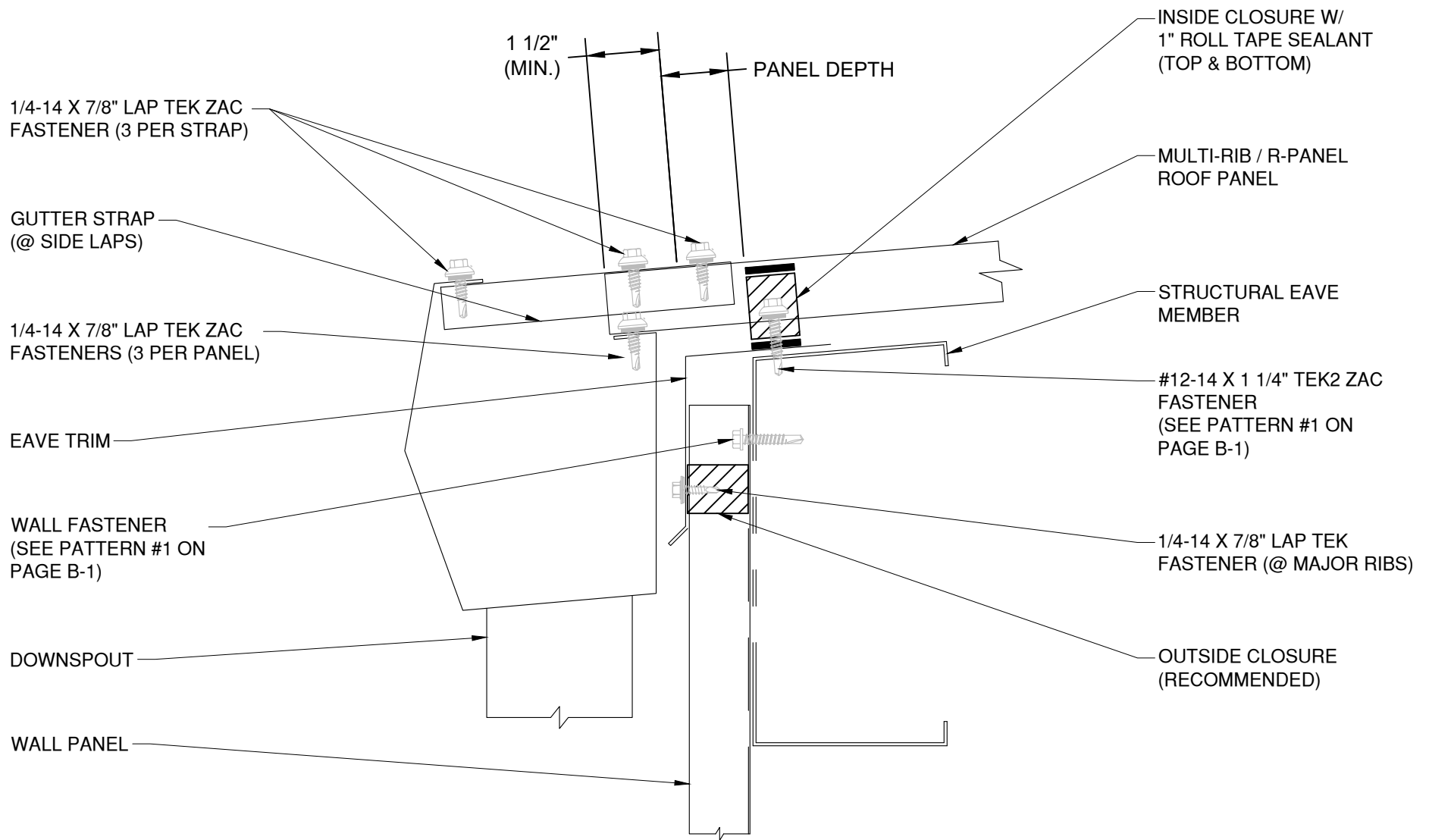


*This detail is for general informational purposes only. The project design professional determines, in its sole discretion, whether this detail or a functionally equivalent detail is best suited for the project with respect to any architecture, engineering, and design requirements, including any local building code requirements. If this document is not reviewed and the product is not approved for use by a licensed design professional, the customer agrees that the detail may contain substantive flaws requiring correction, and hereby releases Tremco CPG Inc. from any and all liability related to the design and installation of the product. This detail is subject to change without notice. Contact Tremco to ensure you have the most recent version.*

**R Panel**

Detail: Eave			File Name:
Drawn by: HDE	Checked by: JW	Scale: NTS	27870
Revision #: 0	Revised by: NA	Date: 12/18/2024	

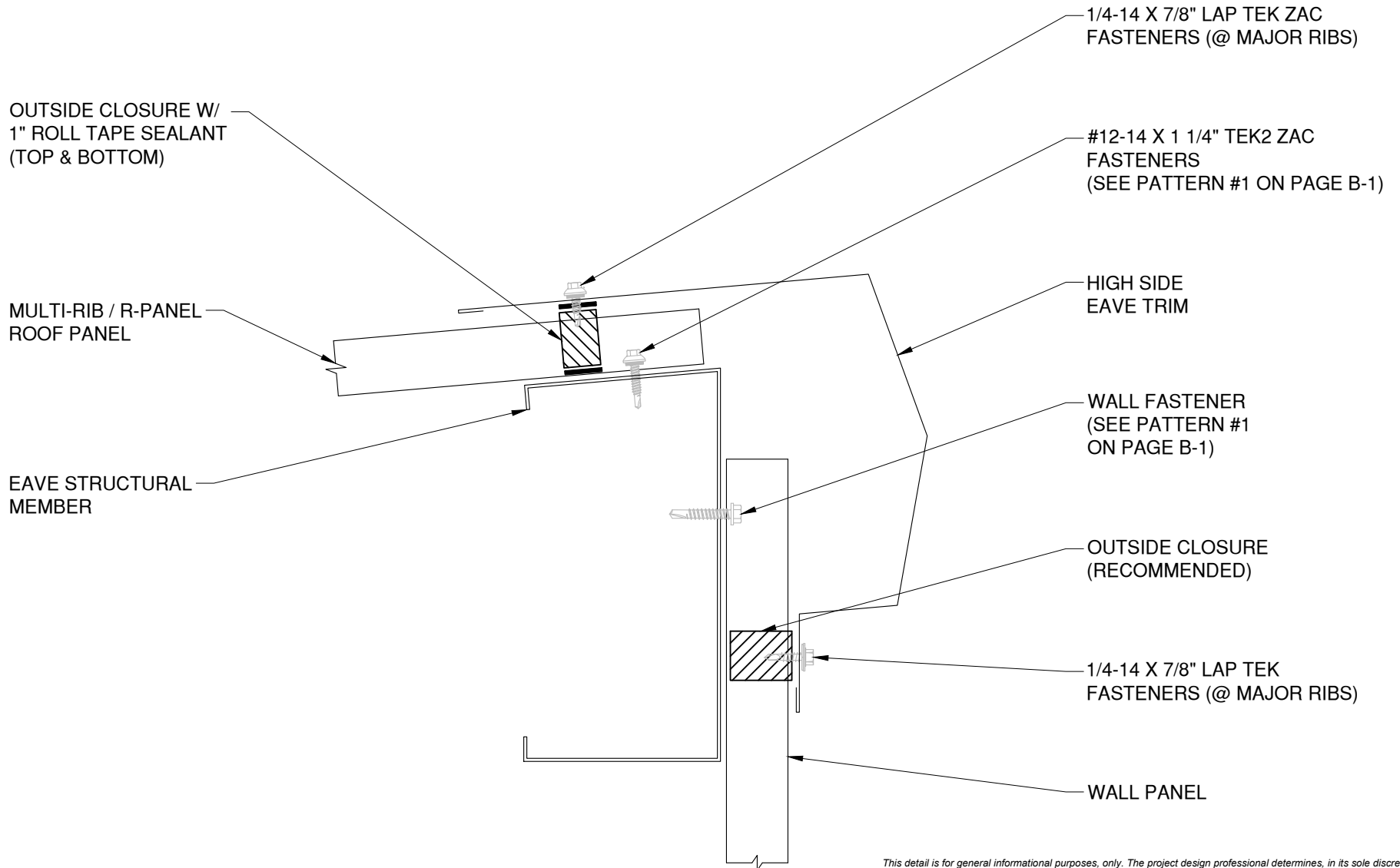




*This detail is for general informational purposes only. The project design professional determines, in its sole discretion, whether this detail or a functionally equivalent detail is best suited for the project with respect to any architecture, engineering, and design requirements, including any local building code requirements. If this document is not reviewed and the product is not approved for use by a licensed design professional, the customer agrees that the detail may contain substantive flaws requiring correction, and hereby releases Tremco CPG Inc. from any and all liability related to the design and installation of the product. This detail is subject to change without notice. Contact Tremco to ensure you have the most recent version.*

### R Panel

Detail: Eave with Gutter			File Name:
Drawn by: HDE	Checked by: JW	Scale: NTS	27871
Revision #: 0	Revised by: NA	Date: 12/18/2024	



*This detail is for general informational purposes only. The project design professional determines, in its sole discretion, whether this detail or a functionally equivalent detail is best suited for the project with respect to any architecture, engineering, and design requirements, including any local building code requirements. If this document is not reviewed and the product is not approved for use by a licensed design professional, the customer agrees that the detail may contain substantive flaws requiring correction, and hereby releases Tremco CPG Inc. from any and all liability related to the design and installation of the product. This detail is subject to change without notice. Contact Tremco to ensure you have the most recent version.*

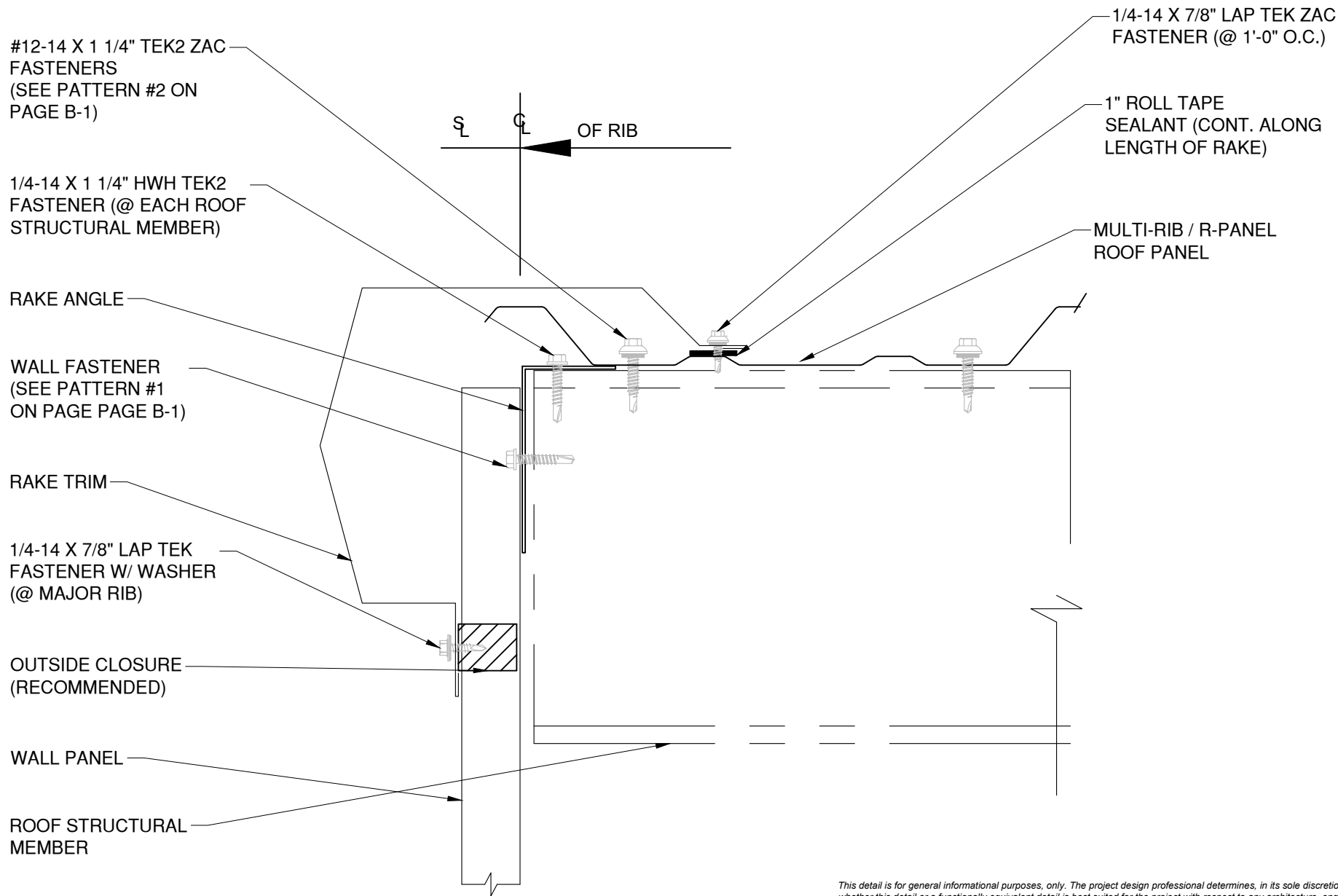
**R Panel**



Detail: High Eave			File Name:  <b>27872</b>
Drawn by: HDE	Checked by: JW	Scale: NTS	
Revision #: 0	Revised by: NA	Date: 12/18/2024	





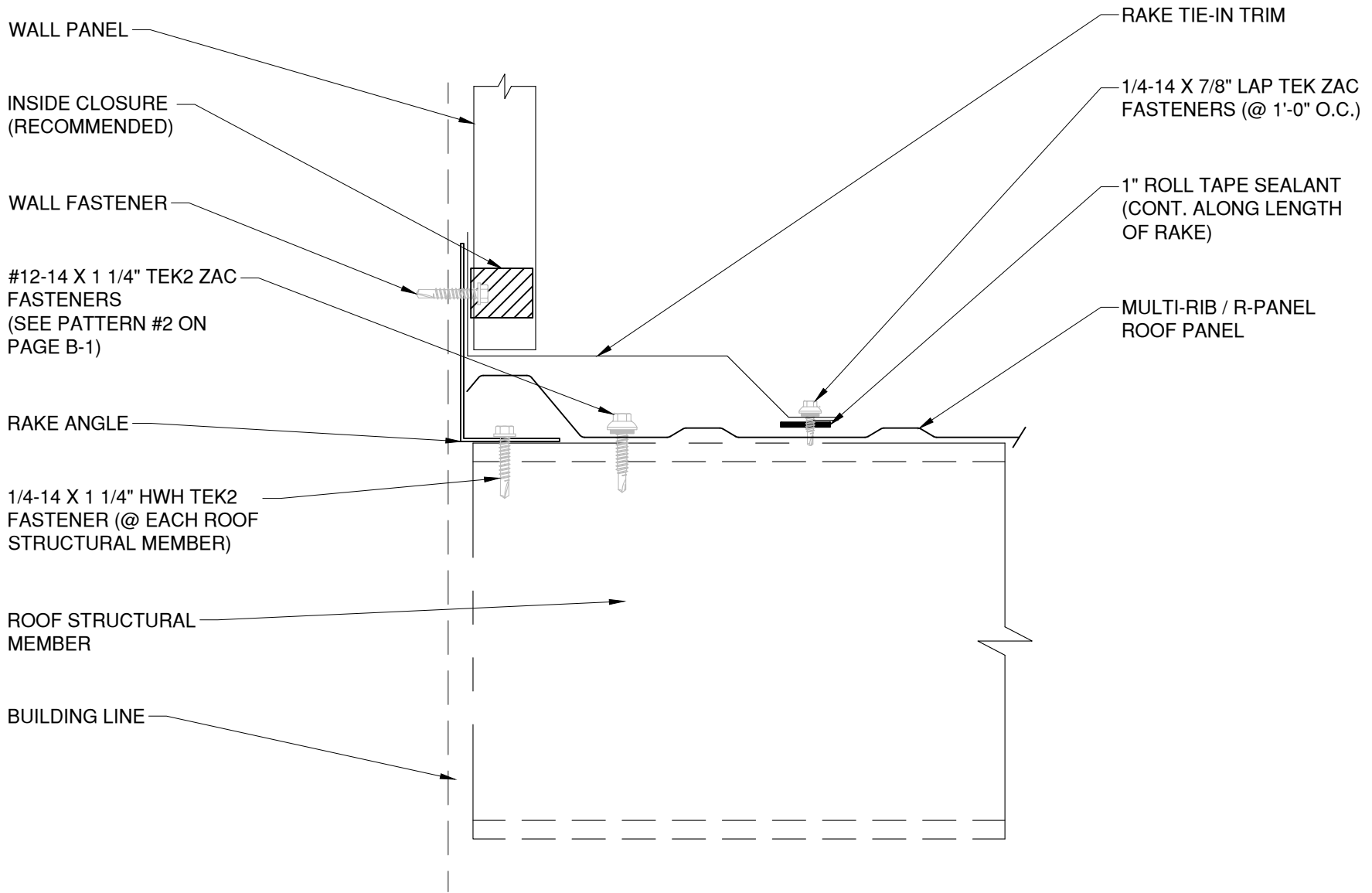


*This detail is for general informational purposes only. The project design professional determines, in its sole discretion, whether this detail or a functionally equivalent detail is best suited for the project with respect to any architecture, engineering, and design requirements, including any local building code requirements. If this document is not reviewed and the product is not approved for use by a licensed design professional, the customer agrees that the detail may contain substantive flaws requiring correction, and hereby releases Tremco CPG Inc. from any and all liability related to the design and installation of the product. This detail is subject to change without notice. Contact Tremco to ensure you have the most recent version.*

**R Panel**



Detail: Rake			File Name:  <b>27873</b>
Drawn by: HDE	Checked by: JW	Scale: NTS	
Revision #: 0	Revised by: NA	Date: 12/18/2024	

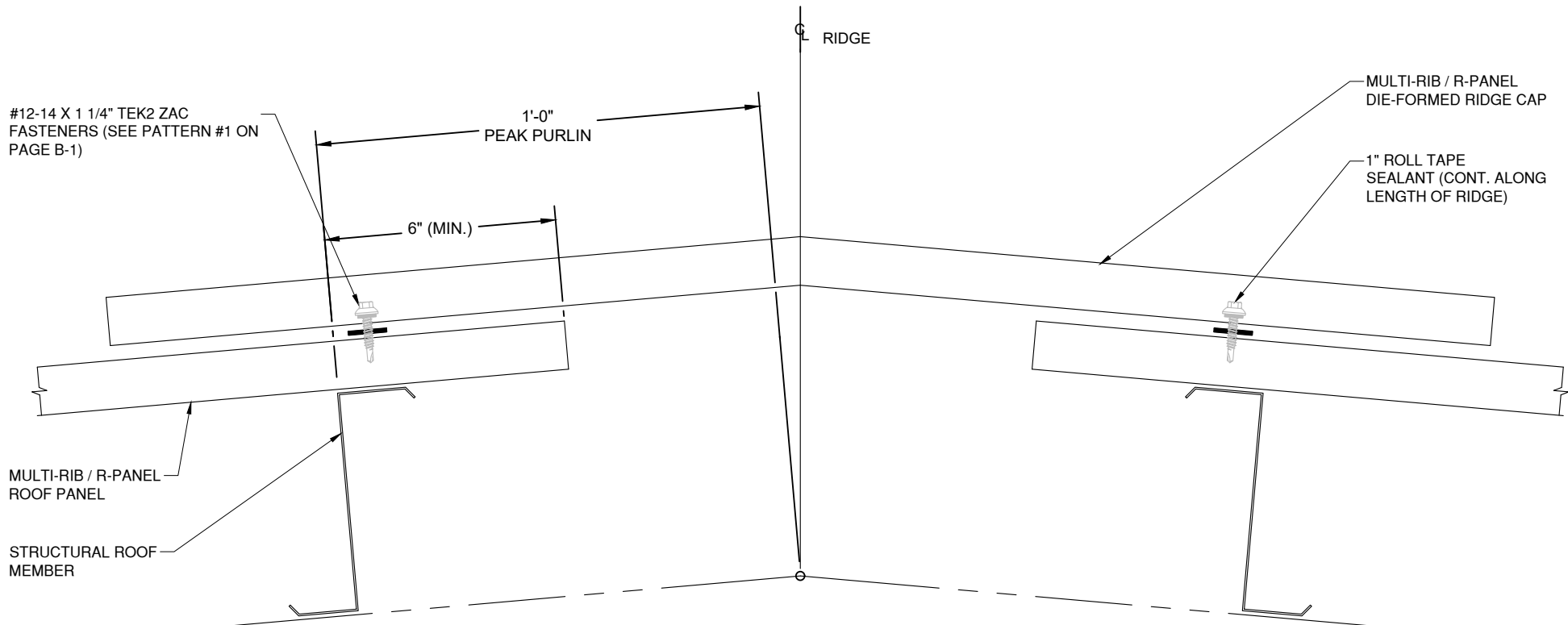




*This detail is for general informational purposes only. The project design professional determines, in its sole discretion, whether this detail or a functionally equivalent detail is best suited for the project with respect to any architecture, engineering, and design requirements, including any local building code requirements. If this document is not reviewed and the product is not approved for use by a licensed design professional, the customer agrees that the detail may contain substantive flaws requiring correction, and hereby releases Tremco CPG Inc. from any and all liability related to the design and installation of the product. This detail is subject to change without notice. Contact Tremco to ensure you have the most recent version.*

**R Panel**

 <p><b>TREMCO</b> Roofing &amp; Building Maintenance</p>	Detail: Rake Tie-In			File Name:  <b>27874</b>	 <p><b>TREMCO</b> Construction Products Group</p>
	Drawn by: HDE	Checked by: JW	Scale: NTS		
	Revision #: 0	Revised by: NA	Date: 12/18/2024		
<small>www.tremcocpg.com</small>					



*This detail is for general informational purposes only. The project design professional determines, in its sole discretion, whether this detail or a functionally equivalent detail is best suited for the project with respect to any architecture, engineering, and design requirements, including any local building code requirements. If this document is not reviewed and the product is not approved for use by a licensed design professional, the customer agrees that the detail may contain substantive flaws requiring correction, and hereby releases Tremco CPG Inc. from any and all liability related to the design and installation of the product. This detail is subject to change without notice. Contact Tremco to ensure you have the most recent version.*

**R Panel**



Detail: Die Formed Ridge			File Name:  <b>27875</b>
Drawn by: HDE	Checked by: JW	Scale: NTS	
Revision #: 0	Revised by: NA	Date: 12/18/2024	



OUTSIDE CLOSURE W/  
1" ROLL TAPE SEALANT  
(TOP & BOTTOM)

#12-14 X 1 1/4" TEK2 ZAC  
FASTENERS  
(SEE PATTERN #1 ON  
PAGE B-1)

MULTI-RIB / R-PANEL  
ROOF PANEL

ROOF STRUCTURAL  
MEMBER

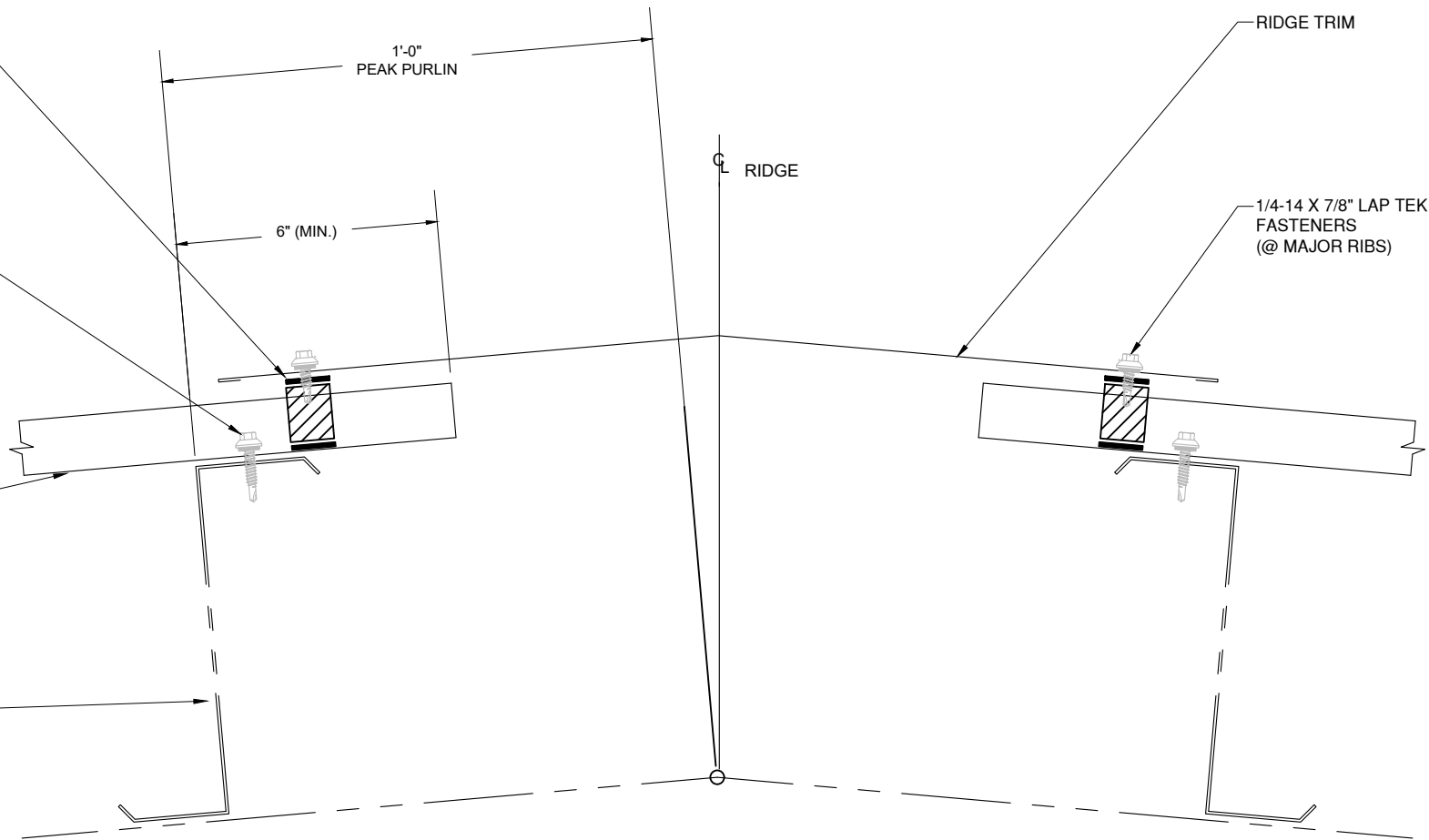
1'-0"  
PEAK PURLIN

6" (MIN.)

C L  
RIDGE

RIDGE TRIM

1/4-14 X 7/8" LAP TEK ZAC  
FASTENERS  
(@ MAJOR RIBS)



*This detail is for general informational purposes only. The project design professional determines, in its sole discretion, whether this detail or a functionally equivalent detail is best suited for the project with respect to any architecture, engineering, and design requirements, including any local building code requirements. If this document is not reviewed and the product is not approved for use by a licensed design professional, the customer agrees that the detail may contain substantive flaws requiring correction, and hereby releases Tremco CPG Inc. from any and all liability related to the design and installation of the product. This detail is subject to change without notice. Contact Tremco to ensure you have the most recent version.*

**R Panel**



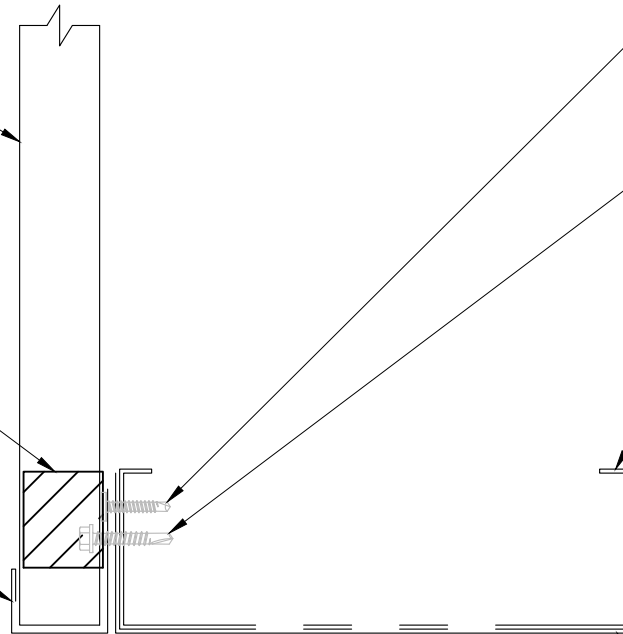
Detail: Ridge			File Name:  27876
Drawn by: HDE	Checked by: JW	Scale: NTS	
Revision #: 0	Revised by: NA	Date: 12/18/2024	



MULTI-RIB / R-PANEL  
WALL PANEL

INSIDE CLOSURE  
(RECOMMENDED)

HEAD TRIM  
(FIELD DRILL WEEP  
HOLES AS REQUIRED)



#10-16 X 1" TEK2 PANCAKE  
HEAD FASTENER (@ 2'-0" O.C.)

WALL FASTENER  
(SEE PATTERN #1 ON  
PAGE B-1)

HEADER STRUCTURAL  
MEMBER

JAMB/HEAD COVER TRIM  
(OPTIONAL)

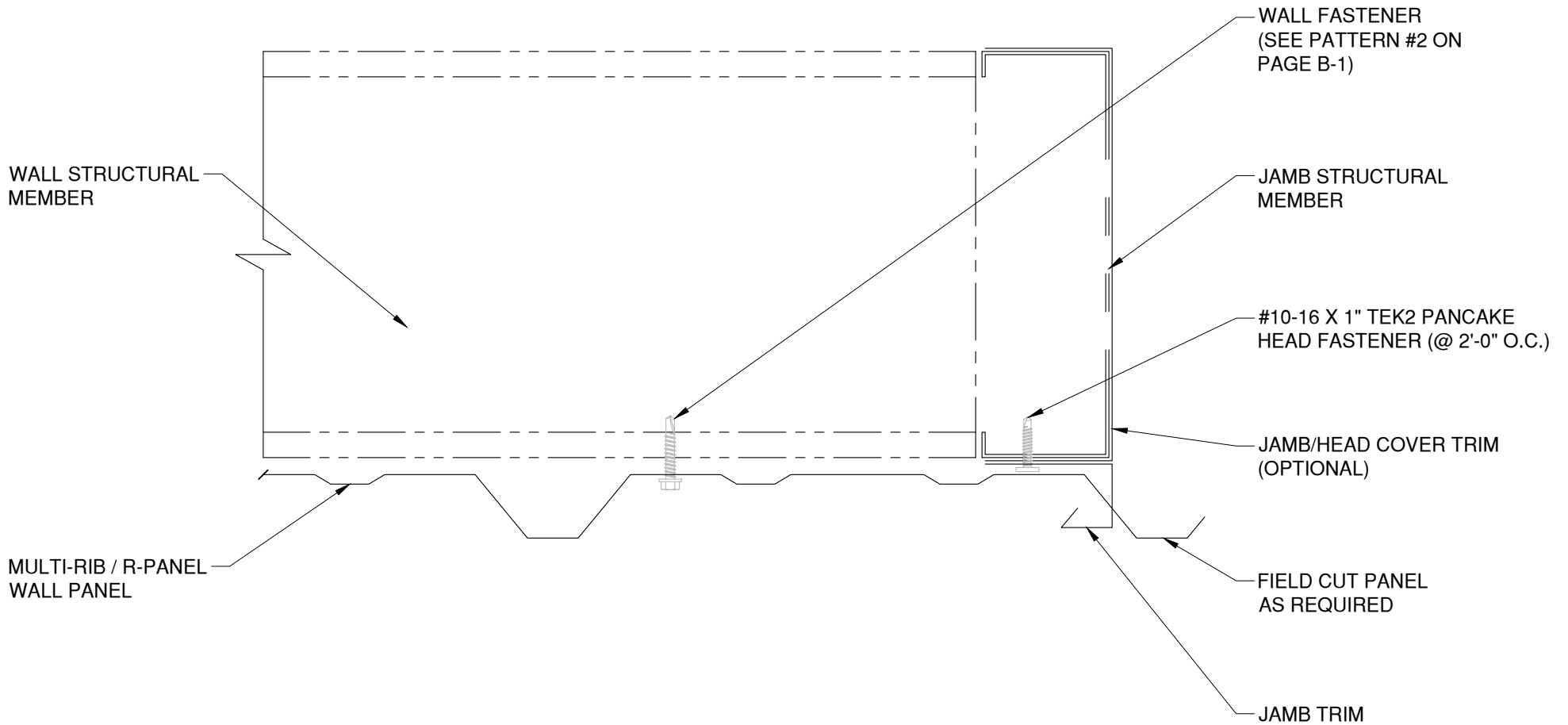
*This detail is for general informational purposes only. The project design professional determines, in its sole discretion, whether this detail or a functionally equivalent detail is best suited for the project with respect to any architecture, engineering, and design requirements, including any local building code requirements. If this document is not reviewed and the product is not approved for use by a licensed design professional, the customer agrees that the detail may contain substantive flaws requiring correction, and hereby releases Tremco CPG Inc. from any and all liability related to the design and installation of the product. This detail is subject to change without notice. Contact Tremco to ensure you have the most recent version.*

**R Panel**



Detail: Head			File Name:  27877
Drawn by: HDE	Checked by: JW	Scale: NTS	
Revision #: 0	Revised by: NA	Date: 12/18/2024	





*This detail is for general informational purposes only. The project design professional determines, in its sole discretion, whether this detail or a functionally equivalent detail is best suited for the project with respect to any architecture, engineering, and design requirements, including any local building code requirements. If this document is not reviewed and the product is not approved for use by a licensed design professional, the customer agrees that the detail may contain substantive flaws requiring correction, and hereby releases Tremco CPG Inc. from any and all liability related to the design and installation of the product. This detail is subject to change without notice. Contact Tremco to ensure you have the most recent version.*

**R Panel**



Detail: Jamb			File Name:  27878
Drawn by: HDE	Checked by: JW	Scale: NTS	
Revision #: 0	Revised by: NA	Date: 12/18/2024	

[www.tremcocpg.com](http://www.tremcocpg.com)



1/4-14 X 7/8" LAP TEK ZAC  
FASTENER (@ MAJOR RIBS)

HIGH SIDE TIE-IN TRIM

OUTSIDE CLOSURE W/  
1" ROLL TAPE SEALANT  
(TOP & BOTTOM)

MULTI-RIB / R-PANEL  
ROOF PANEL

ROOF STRUCTURAL  
MEMBER

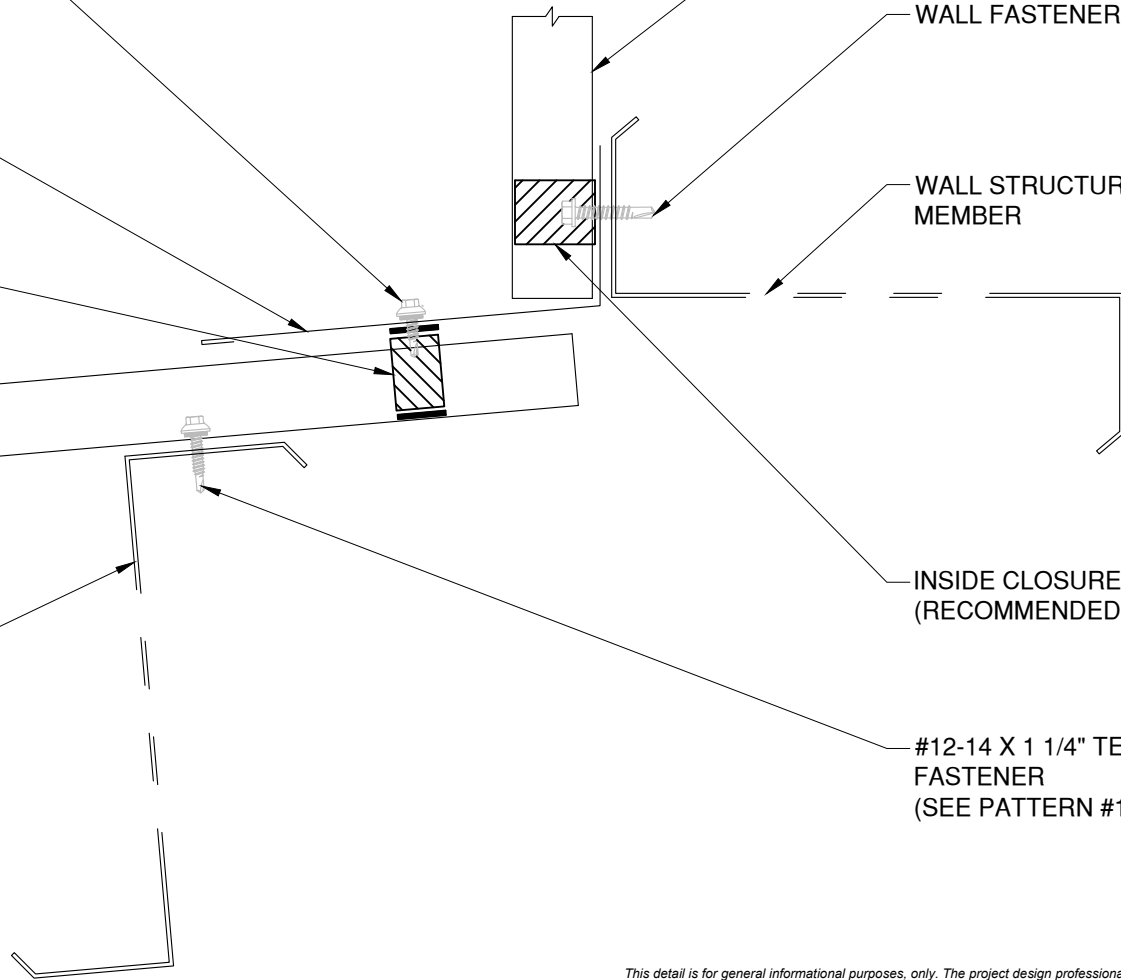
WALL PANEL

WALL FASTENER

WALL STRUCTURAL  
MEMBER

INSIDE CLOSURE  
(RECOMMENDED)

#12-14 X 1 1/4" TEK2 ZAC  
FASTENER  
(SEE PATTERN #1 ON PAGE B-1)



*This detail is for general informational purposes only. The project design professional determines, in its sole discretion, whether this detail or a functionally equivalent detail is best suited for the project with respect to any architecture, engineering, and design requirements, including any local building code requirements. If this document is not reviewed and the product is not approved for use by a licensed design professional, the customer agrees that the detail may contain substantive flaws requiring correction, and hereby releases Tremco CPG Inc. from any and all liability related to the design and installation of the product. This detail is subject to change without notice. Contact Tremco to ensure you have the most recent version.*

**R Panel**



Detail: High-Side Tie-In			File Name:  <b>27879</b>
Drawn by: HDE	Checked by: JW	Scale: NTS	
Revision #: 0	Revised by: NA	Date: 12/18/2024	



#12-14 X 1 1/4" TEK2 ZAC  
FASTENERS  
(SEE PATTERN #1 ON PAGE B-1)

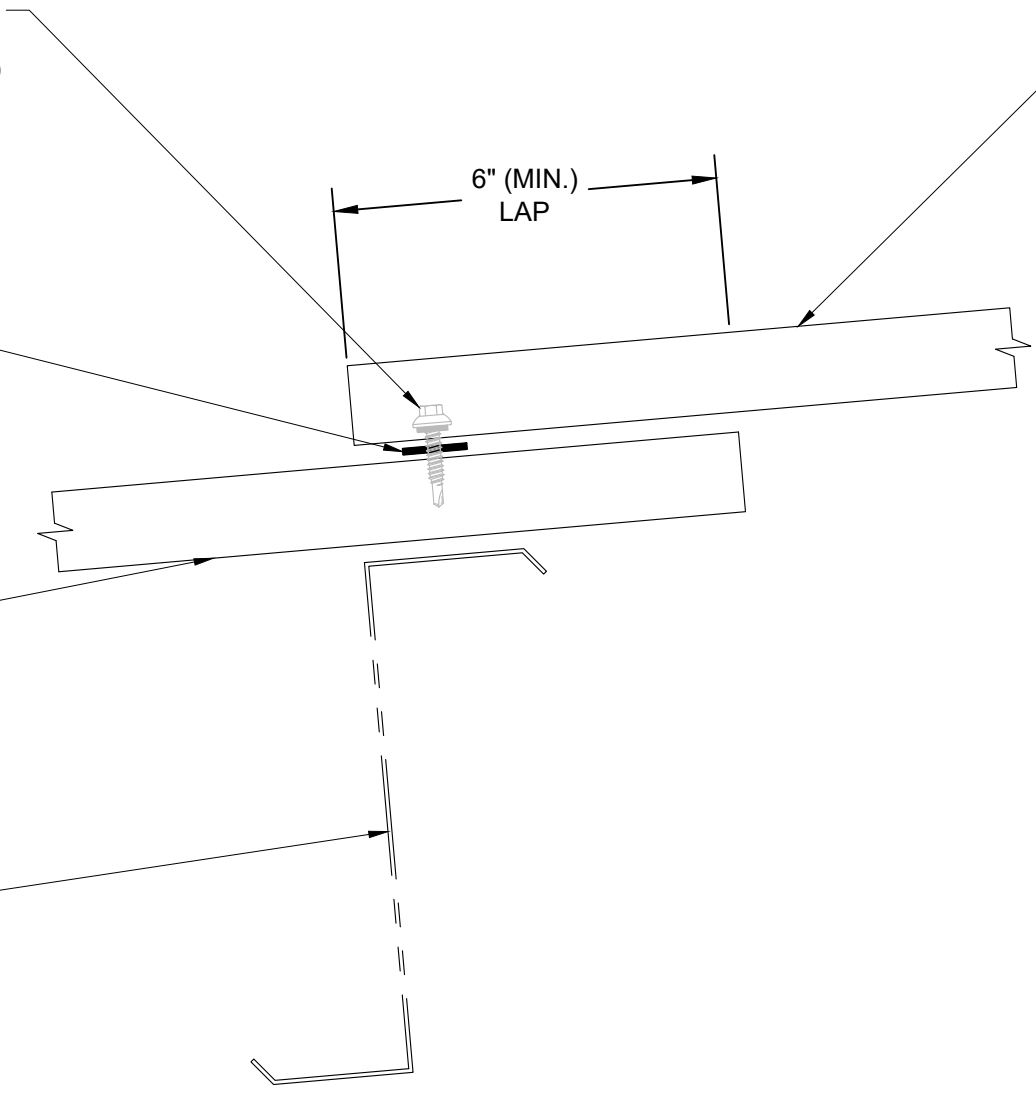
MULTI-RIB / R-PANEL  
ROOF PANEL

6" (MIN.)  
LAP

1" ROLL TAPE SEALANT  
(CONT. ALONG LAP)

MULTI-RIB / R-PANEL  
ROOF PANEL

ROOF STRUCTURAL  
MEMBER



*This detail is for general informational purposes only. The project design professional determines, in its sole discretion, whether this detail or a functionally equivalent detail is best suited for the project with respect to any architecture, engineering, and design requirements, including any local building code requirements. If this document is not reviewed and the product is not approved for use by a licensed design professional, the customer agrees that the detail may contain substantive flaws requiring correction, and hereby releases Tremco CPG Inc. from any and all liability related to the design and installation of the product. This detail is subject to change without notice. Contact Tremco to ensure you have the most recent version.*

**R Panel**



Detail: Roof Panel Lap			File Name:  27880
Drawn by: HDE	Checked by: JW	Scale: NTS	
Revision #: 0	Revised by: NA	Date: 12/18/2024	

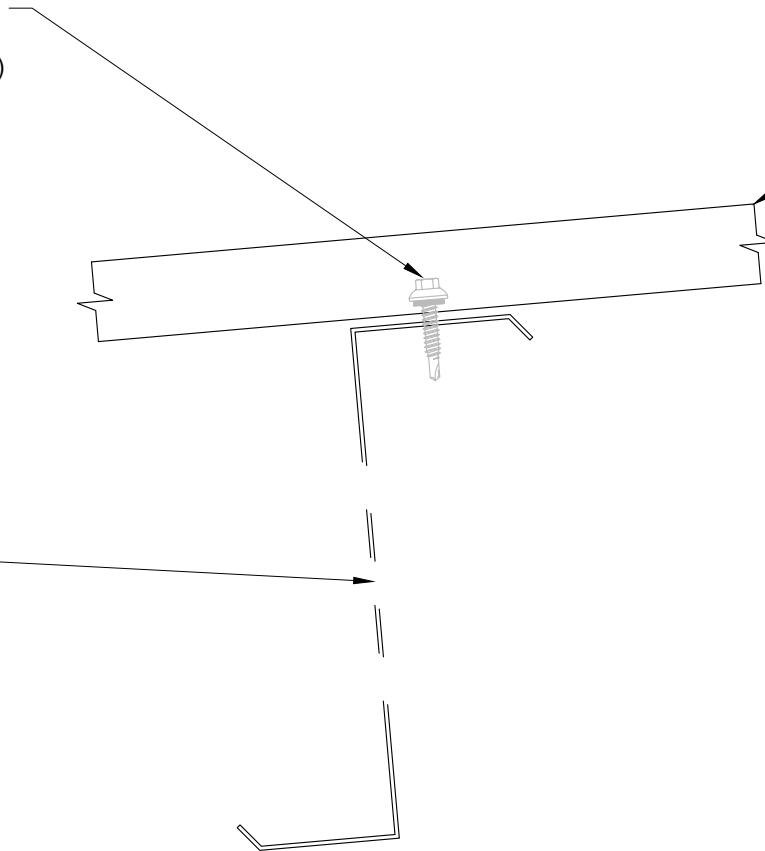




#12-14 X 1 1/4" TEK2 ZAC  
FASTENERS  
(SEE PATTERN #2 ON PAGE B-1)

MULTI-RIB / R-PANEL  
ROOF PANEL

ROOF STRUCTURAL  
MEMBER



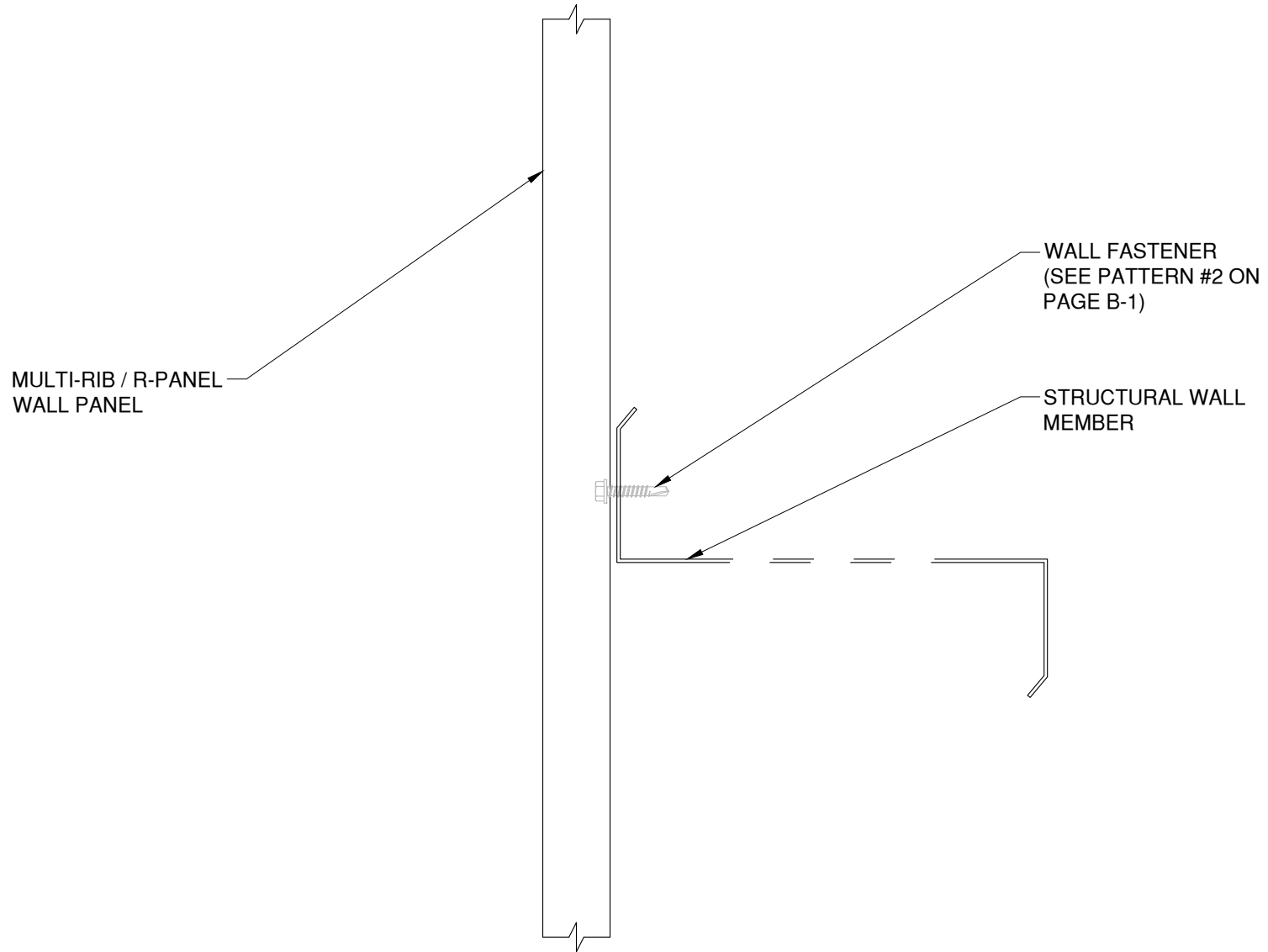
*This detail is for general informational purposes only. The project design professional determines, in its sole discretion, whether this detail or a functionally equivalent detail is best suited for the project with respect to any architecture, engineering, and design requirements, including any local building code requirements. If this document is not reviewed and the product is not approved for use by a licensed design professional, the customer agrees that the detail may contain substantive flaws requiring correction, and hereby releases Tremco CPG Inc. from any and all liability related to the design and installation of the product. This detail is subject to change without notice. Contact Tremco to ensure you have the most recent version.*

**R Panel**





Detail: Panel to Purlin			File Name:  27881
Drawn by: HDE	Checked by: JW	Scale: NTS	
Revision #: 0	Revised by: NA	Date: 12/18/2024	





*This detail is for general informational purposes only. The project design professional determines, in its sole discretion, whether this detail or a functionally equivalent detail is best suited for the project with respect to any architecture, engineering, and design requirements, including any local building code requirements. If this document is not reviewed and the product is not approved for use by a licensed design professional, the customer agrees that the detail may contain substantive flaws requiring correction, and hereby releases Tremco CPG Inc. from any and all liability related to the design and installation of the product. This detail is subject to change without notice. Contact Tremco to ensure you have the most recent version.*

**R Panel**

	Detail: Wall to Girt			File Name:  27882	
	Drawn by: HDE	Checked by: JW	Scale: NTS		
	Revision #: 0	Revised by: NA	Date: 12/18/2024		
<small>www.tremcocpg.com</small>					