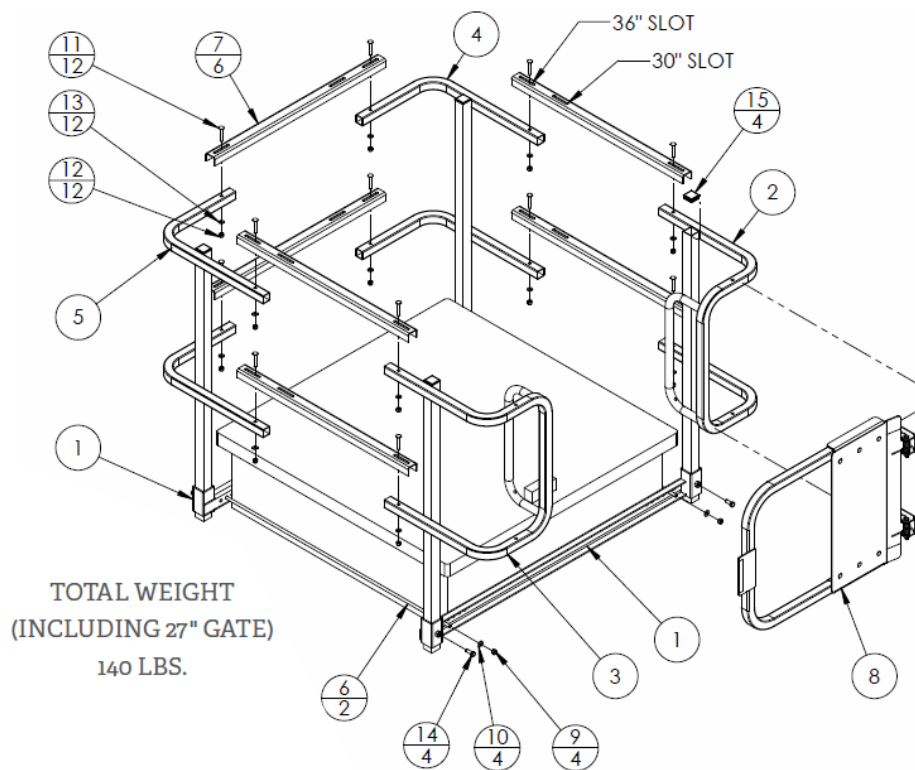


TremSafe Hatch Guard 30-36x30-36

Installation Manual

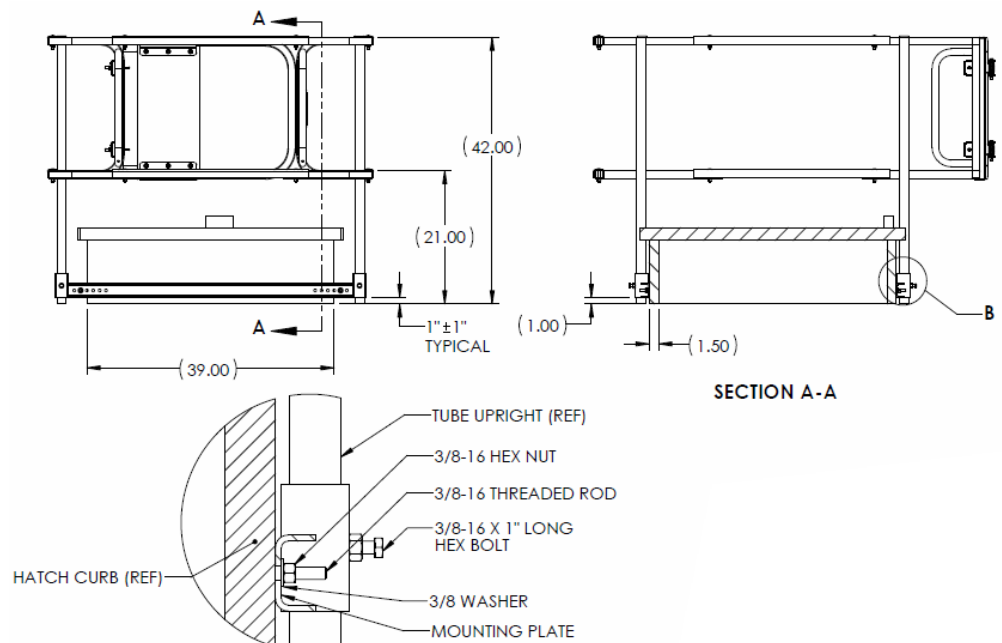
ITEM	DESCRIPTION	QTY.
1	MOUNT PLATE WELDMENT-36"	2
2	FRONT FRAME HD2 RIGHT	1
3	FRONT FRAME HD2 LEFT	1
4	REAR FRAME HD2 RIGHT	1
5	REAR FRAME HD2 LEFT	1
6	THREADED ROD - 3/8-16 X 42	2
7	RAIL - CONNECTING, 31"	6
8	SELF CLOSING GATE- 27" (G)	1
9	NUT, HEX, 3/8-16, ZP	4
10	WASHER - FLAT, SAE, 3/8, ZP	4
11	BOLT, CARRIAGE, 5/16-18 X 2", ZP	12
12	NUT, NYLOCK, 5/16-18, ZP	12
13	WASHER - FLAT, SAE, 5/16, ZP	12
14	BOLT, HEX, 3/8-16 X 1" LG., ZP, G5	4
15	PLUG, PLASTIC 1-1/2" TUBING	4



TremSafe Hatch Guard 30-36x30-36

Installation Instructions

- 1) Position Mounting Frames as Shown.
- 2) Insert the 3/8" threaded rods on hole set closest to hatch curb. Place washers and nuts and tighten nuts until snug only.
- 3) Bottom of HatchGuard should be approximately 2" from the roof surface and centered side to side.
- 4) Insert corner frames in square receiver tubes. Check for proper orientation.
- 5) Attach connecting rails with supplied hardware but do not fully tighten.
- 6) Check for squareness and tighten hardware on connecting rails (12) places.
- 7) Tighten nuts on threaded rods to achieve full compression on frame plates. Threaded rod may be clamped with vise grip to keep from spinning. CAUTION: Front and rear frame plates will begin to bend if overtightened.
- 8) Tighten (4) upright clamp screws (item 14).
- 9) Install self-closing gate as indicated in the TremSafe Self-Closing Safety Gate manual.
- 10) Insert (4) plugs (item 15) with rubber mallet.

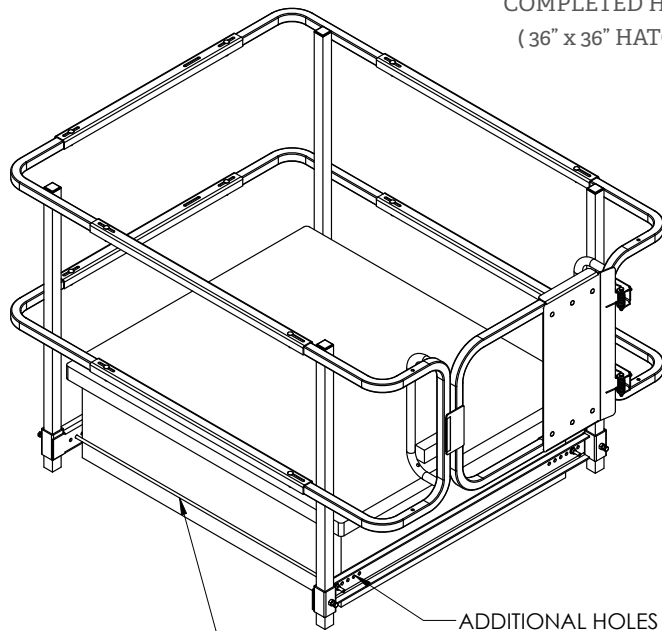


TremSafe Hatch Guard 30-36x30-36

Annual Inspection Procedure

- Check for any loose or missing fasteners. Replace and tighten as necessary.
- Check gate function: opens/closes properly, fit, and alignment.
- Adjust if necessary for proper fit.

COMPLETED HATCHGUARD
(36" x 36" HATCH SHOWN)



ADDITIONAL HOLES PROVIDED FOR BOLTING THROUGH CURB. NOT RECOMMENDED. (HARDWARE NOT SUPPLIED BY TREMCO)

3/8" THREADED ROD AND HARDWARE FOR COMPRESSION MOUNTING



www.tremcoroofing.com
3735 Green Road
Beachwood, Ohio 44122
1.800.852.6013

220 Wicksteed Avenue
Toronto, ON M4H 1G7
1.800.668.9879

Tremco Roofing & Building
Maintenance is part of Tremco
Construction Products Group

Tremco is a US Registered trademark of Tremco CPG Inc.

The information provided on this data page supersedes all previous data concerning this product and its application. The Statements provided concerning the materials shown are intended solely as a general guide for material usage and are believed to be true and accurate. Since the manner of use is beyond our control, Tremco DOES NOT MAKE NOR DOES IT AUTHORIZE ANY WARRANTY OF MERCHANTABILITY OR FITNESS FOR ANY PURPOSE, OR ANY OTHER WARRANTY, GUARANTEE OR REPRESENTATION, EXPRESSED OR IMPLIED, CONCERNING THIS MATERIAL EXCEPT THAT IT CONFORMS TO TREMCO'S PRODUCT SAMPLE. Buyer and user accept the product under those conditions and assume the risk of any failure, injury of person or property and loss or liability resulting from the handling, storage or use of the product, whether or not it is handled, stored, used in accordance with directions or specifications. UNDER NO CIRCUMSTANCE SHALL TREMCO BE LIABLE FOR CONSEQUENTIAL OR INCIDENTAL DAMAGES ARISING FROM ANY BREACH OF WARRANTY. IN ALL CASES, TREMCO'S LIABILITY IS LIMITED, AT TREMCO'S OPTION, TO THE REPLACEMENT OF GOODS, OR THEIR VALUE, PROVEN TO BE DEFECTIVE IN MANUFACTURING.