

TremSafe™ Hatch Guard

FEATURES

Non-penetrating

Assembles in minutes

Five nominal sizes are available, and each is adjustable laterally up to 6"

Garb Bars come standard for easy egress and ingress

Can be easily dismantled for roof deck repair

Both the length and width are adjustable to fit non-standard size hatches

GuardDog Safety Gate comes standard

Standard hot-dipped galvanized finish

Fully compliant with all OSHA standards.

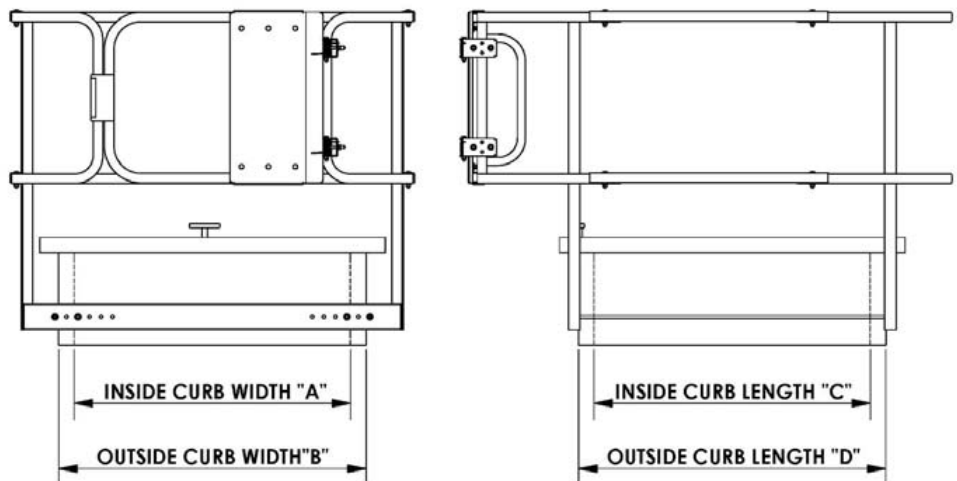


DESCRIPTION

The TremSafe Hatch Guard™ is ideal to protect workers, easy to install, and meets OSHA standards for fall protection. Assembles in minutes. GrabBar come standard for easy egress and ingress. TremSafe Self-Closing Safety Gate comes standard with every kit. Units can be easily dismantled for roof deck repair. Adjustable length and width to fit non-standard hatches. 1-1/4" sq. tubing. 3" exposed curb required to install. Hot-dipped galvanized

BASIC USES

The TremSafe Hatch Guard is a non-penetrating fall protection solution designed specifically for rooftop hatches. American made, the hatch defender is an essential part of the rooftop safety. It allows your employees to maintain their safety while accessing the rooftop.



www.tremcoroofing.com
3735 Green Road
Beachwood, Ohio 44122
1.800.852.6013

220 Wicksteed Avenue
Toronto, ON M4H 1G7
1.800.668.9879
Tremco Roofing & Building
Maintenance is part of Tremco
Construction Products Group

The information provided on this data page supersedes all previous data concerning this product and its application. The Statements provided concerning the materials shown are intended solely as a general guide for material usage and are believed to be true and accurate. Since the manner of use is beyond our control, Tremco DOES NOT MAKE NOR DOES IT AUTHORIZE ANY WARRANTY OF MERCHANTABILITY OR FITNESS FOR ANY PURPOSE, OR ANY OTHER WARRANTY, GUARANTEE OR REPRESENTATION, EXPRESSED OR IMPLIED, CONCERNING THIS MATERIAL EXCEPT THAT IT CONFORMS TO TREMCO'S PRODUCT SAMPLE. Buyer and user accept the product under those conditions and assume the risk of any failure, injury of person or property and loss or liability resulting from the handling, storage or use of the product, whether or not it is handled, stored, used in accordance with directions or specifications. UNDER NO CIRCUMSTANCE SHALL TREMCO BE LIABLE FOR CONSEQUENTIAL OR INCIDENTAL DAMAGES ARISING FROM ANY BREACH OF WARRANTY. IN ALL CASES, TREMCO'S LIABILITY IS LIMITED, AT TREMCO'S OPTION, TO THE REPLACEMENT OF GOODS, OR THEIR VALUE, PROVEN TO BE DEFECTIVE IN MANUFACTURING.

TremLock® is a U.S. registered trademark of Tremco CPG Inc. Kynar 500® is a U.S. registered trademark of Arkema Inc. Hylar 5000® is a U.S. registered trademark of Solvay Solexis, Inc. Galvalume® is a U.S. registered trademark of BIEC International Inc. Fluorpon® is a U.S. registered trademark of SWIMC LLC.