



Fascia for Low Slope Roof Systems *Reroof and New Construction Applications*

FEATURES

- Pre-manufactured roof edge provides superior protection against wind, water and harsh weather.
- Engineered and designed for long-term performance.
- Quality materials consistently manufactured to tight tolerances.

BENEFITS

- Meets building code for wind uplift, coast-to-coast.
- Rigorously tested to meet ANSI/SPRI and FM 1-49 Standards.
- Easy and fast installation.
- Provides a secure edge that protects the whole roof system from failure.

OVERVIEW

Fascia systems create an appealing aesthetic look to complete a roof system while protecting the overall roof investment. The roof edge secures the building perimeter and keeps the roof components in place when severe weather strikes. If the edge fails, the entire building is at risk for significant damage. Using a high-performance fascia system that meets building code and adheres to ANSI/SPRI/FM 4435/ES-1 Standards for wind uplift, greatly reduces the risk of failure.

APPLICATIONS

TremLock fascia systems are designed for low slope roof applications, complementing single ply, built-up and modified roofs. The TremLock fascia portfolio fits a wide range of applications from manufacturing facilities to shopping centers and temperature-controlled environments to critical care facilities. Proactively choosing a building code compliant roof edge, keeps buildings protected when weather events occur.

SYSTEM DESIGN

TremLock fascia systems are manufactured in 12'-0" lengths saving time, labor and energy. TremLock's premium fascia offers heavy gauge extruded aluminum anchor bars for top-of-the-line roof edge termination and securement. Select fascia systems offer excellent waterdam solutions while choice fascia's give contractors easy options. Based on building height, location and wind uplift needs, Tremco will help determine the best fascia system solution for every application.

FINISH/COLORS

Tremco has a variety of fascia products that meet quick ship criteria, available in 10 express colors. Choose among a wide range of standard colors and finishes that meet your job requirements. A 30-year Kynar 500® PVDF finish warranty is included on coil-coated standard colors.

INCLUDED ITEMS

TremLock fascia systems come with pre-punched fastening holes that allow for easy and precise installation on every project. Additionally, fasteners are supplied with all TremLock fascia systems.

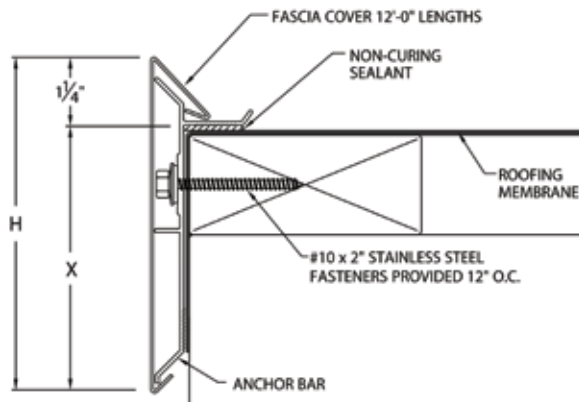
TremLock® Edge Metal Systems

PREMIUM FASCIA FOR SUPERIOR WIND UPLIFT PROTECTION

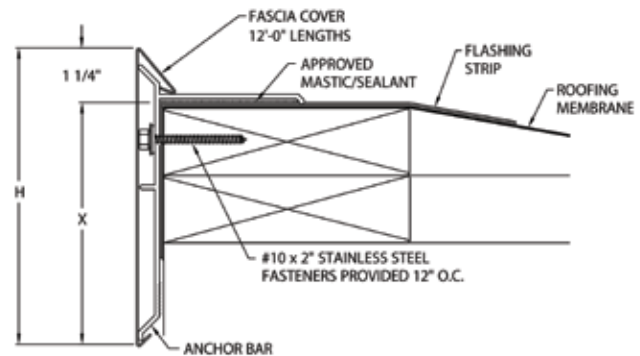
Roof edge is a vital component of the roof system, providing lasting protection against damaging winds and water for the life of a roof. Using tested and proven pre-manufactured fascia that meets building code for wind uplift reduces the risk of failure. TremLock's high performance premium fascia systems are engineered for longevity and durability and feature extruded anchor bars for maximum securement when terminating the roof edge.

TremLock's premium fascia portfolio is expansive and fits a wide variety of applications and membrane types. Tremco can also assist if a project calls for custom fascia needs.

TREMLOCK 215 FASCIA SINGLE PLY



TREMLOCK 215 FASCIA BUR/MB

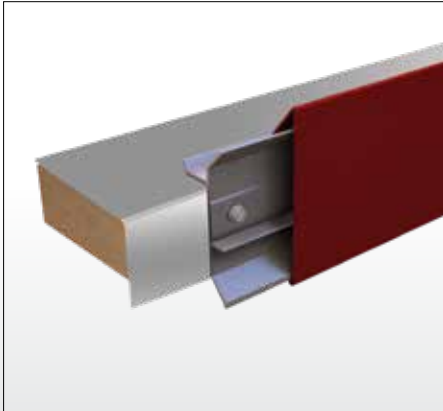


FASCIA	STANDARD FACE HEIGHTS	MATERIALS
TremLock 215 Fascia Single Ply	4", 5.5", 7", 8.5"	24-gauge galvanized steel, .040" aluminum
TremLock 215 HD Fascia Single Ply	4", 5.5", 7", 8.5", 10"	24-gauge & 22-gauge galvanized steel, .040", .050" & .063" aluminum
TremLock 215 EXT Fascia Single Ply	8.5", 10", 11.5", 13"	22-gauge galvanized steel, .050" & .063" aluminum
TremLock 215 Canted Fascia – Galvanized Waterdam Version	5.5", 7.5"	24-gauge & 22-gauge galvanized steel, .040", .050" & .063" aluminum
TremLock 215 EXT Canted Fascia – Galvanized Waterdam Version	9", 10.5", 12", 13.5"	22-gauge galvanized steel, .050" & .063" aluminum
TremLock 215 Canted Fascia – Existing Beveled Wood Nailer Version	5.5", 7.5"	24-gauge & 22-gauge galvanized steel, .040", .050" & .063" aluminum
TremLock 215 EXT Canted Fascia – Existing Beveled Wood Nailer Version	9", 10.5", 12", 13.5"	22-gauge galvanized steel, .050" & .063" aluminum
TremLock 215 Fascia BUR/MB	5.5", 7", 8.5"	24-gauge galvanized steel, .040" aluminum
TremLock 215 HD Fascia BUR/MB	5.5", 7"	.050" & .063" aluminum
TremLock 215 EXT Fascia BUR/MB	8.5", 10", 11.5", 13"	22-gauge galvanized steel, .050" & .063" aluminum

A SNAPSHOT OF THE TREMLOCK FASCIA PORTFOLIO

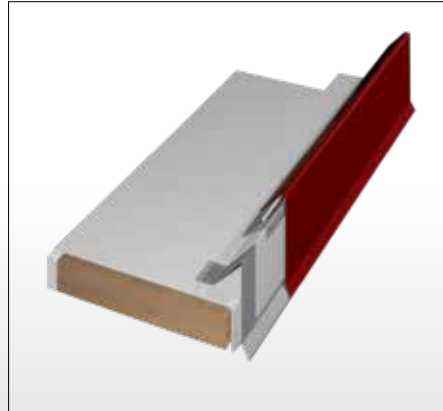
PREMIUM

TREMLOCK 215 FASCIA SINGLE PLY



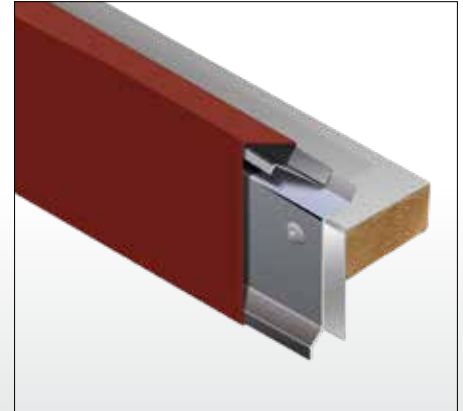
SELECT

TREMLOCK 200S FASCIA SINGLE PLY



CHOICE

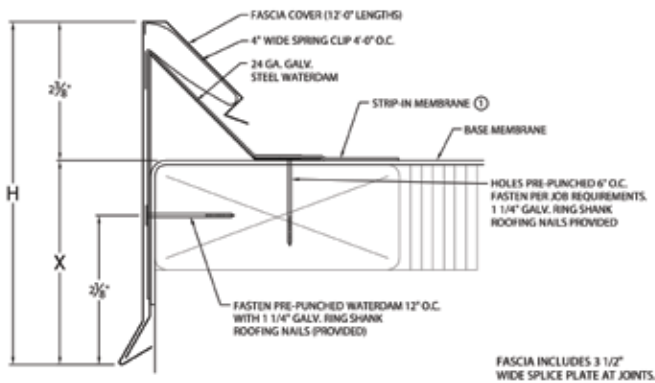
TREMLOCK ECO EDGE FASCIA SINGLE PLY



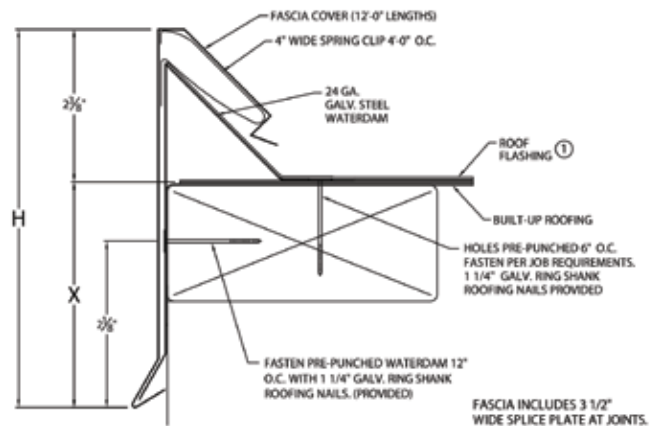
SELECT FASCIA FOR WATERDAM APPLICATIONS

TremLock's select fascia is a perfect fit for waterdam applications. TremLock 200S (single ply) and 300S (built-up or modified) provide a cost-effective and efficient solution to keep the roof membrane up and out of the waterline.

TREMLOCK 200S FASCIA SINGLE PLY



TREMLOCK 300S FASCIA BUR/MB



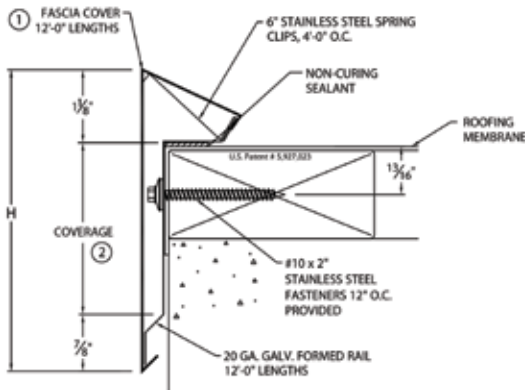
FASCIA	STANDARD FACE HEIGHTS	MATERIALS
TremLock 200S Fascia Snap-On Single Ply	5.25", 6.75", 8.25", 9.75", 11.25", 12.75"	24-gauge galvanized steel, .040", .050" & .063" aluminum
TremLock 300S Fascia BUR/MOD	5.25", 6.75", 8.25", 9.75", 11.25", 12.75"	24-gauge galvanized steel, .040", .050" & .063" aluminum

TremLock® Edge Metal Systems

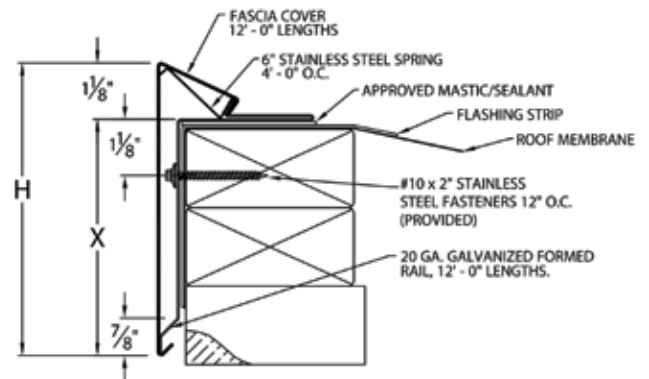
CHOICE FASCIA DESIGNED WITH THE CONTRACTOR IN MIND

TremLock's choice fascia portfolio is designed for ease and speed of installation, saving contractors time, labor and cost to move onto the next project faster. TremLock Eco Edge is engineered and tested for performance and stocked for quick ship needs, making it an easy choice for contractors.

TREMLOCK ECO EDGE FASCIA SINGLE PLY

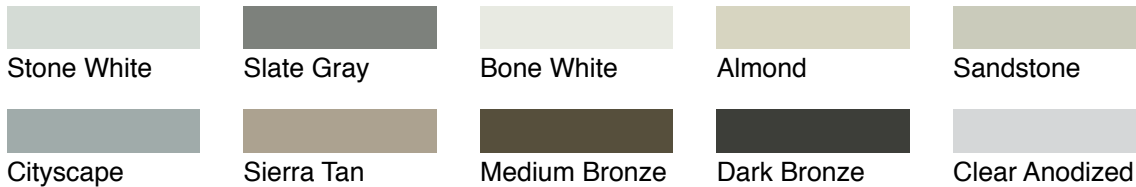


TREMLOCK ECO EDGE FASCIA MB



FASCIA	STANDARD FACE HEIGHTS	MATERIALS
TremLock Eco Edge Single Ply	4", 5", 6.5", 8"	24-gauge galvanized steel, .040", .050" & .063" aluminum
TremLock Eco Edge Extended Fascia Single Ply	9.5", 11", 12.5"	.050" & .063" aluminum
TremLock Eco Edge MB	5", 6.5", 8"	.050" & .063" aluminum
TremLock Eco Edge Extended Fascia BUR/MB	9.5", 11", 12.5"	.050" & .063" aluminum

TREMLOCK EXPRESS COLOR OPTIONS



www.tremcoroofing.com
3735 Green Road
Beachwood, Ohio 44122
800.558.2162

50 Beth Neilson Drive
Toronto, Ontario M4H 1M6

2/25/2019

© Tremco, 2018. All Rights Reserved. TremLock is a U.S. registered trademark of Tremco, Inc. The information provided on this data sheet is effective as of July 2018 and supersedes all previous data concerning this product and its application. The statements provided concerning the materials shown are intended solely as a general guide for material usage and are believed to be true and accurate. Since the manner of use is beyond our control, Tremco DOES NOT MAKE NOR DOES IT AUTHORIZE ANY WARRANTY OF MERCHANTABILITY OR FITNESS FOR ANY PURPOSE, OR ANY OTHER WARRANTY, GUARANTEE OR REPRESENTATION, EXPRESSED OR IMPLIED, CONCERNING THIS MATERIAL EXCEPT THAT IT CONFORMS TO TREMCO'S PRODUCT SAMPLE. Buyer and user accept the product under those conditions and assume the risk of any failure, injury to person or property and loss or liability resulting from the handling, storage or use of the product, whether or not it is handled, stored, used in accordance with directions or specifications. UNDER NO CIRCUMSTANCES SHALL TREMCO BE LIABLE FOR CONSEQUENTIAL OR INCIDENTAL DAMAGES ARISING FROM ANY BREACH OF WARRANTY. IN ALL CASES, TREMCO'S LIABILITY IS LIMITED, AT TREMCO'S OPTION, TO THE REPLACEMENT OF GOODS, OR THEIR VALUE, PROVEN TO BE DEFECTIVE IN MANUFACTURING.

